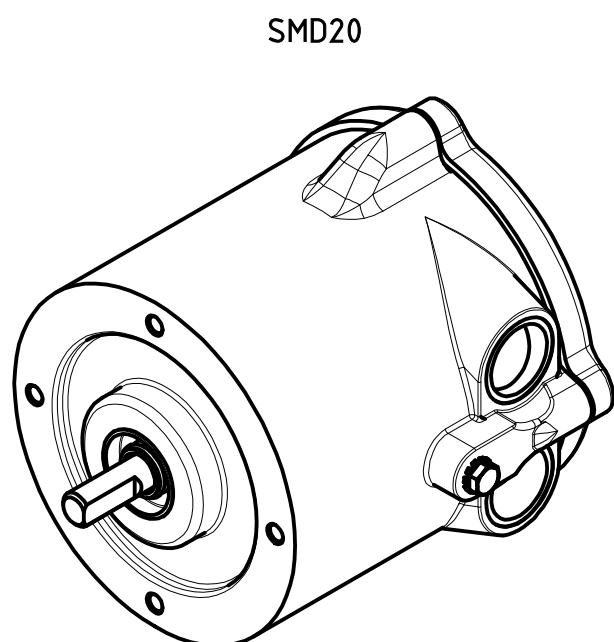
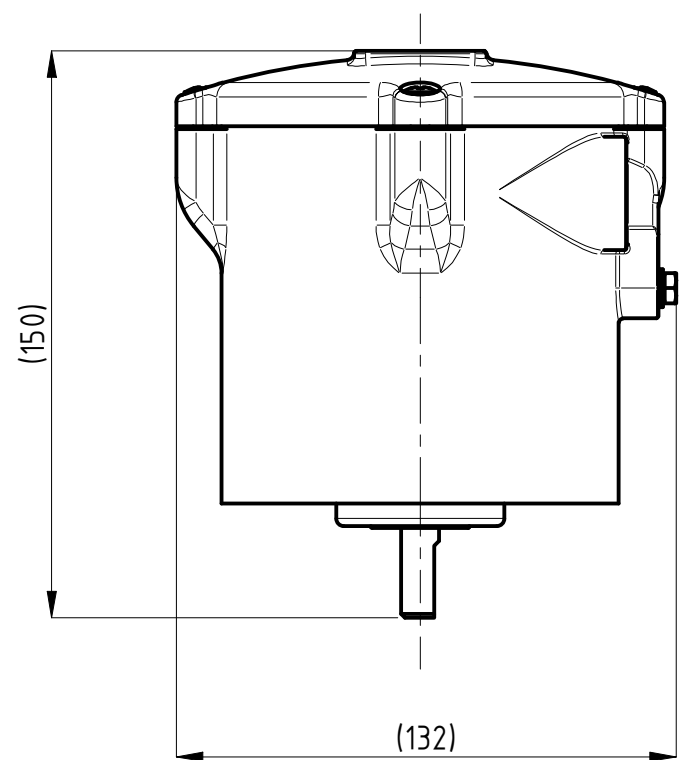
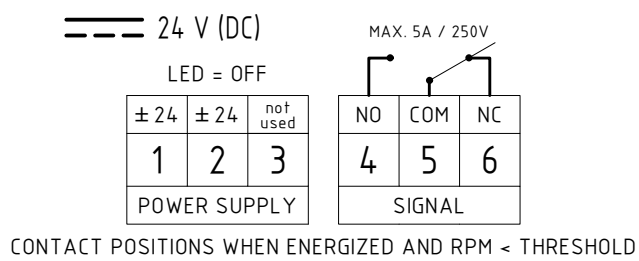
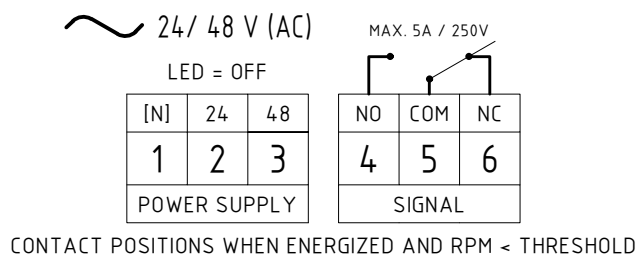
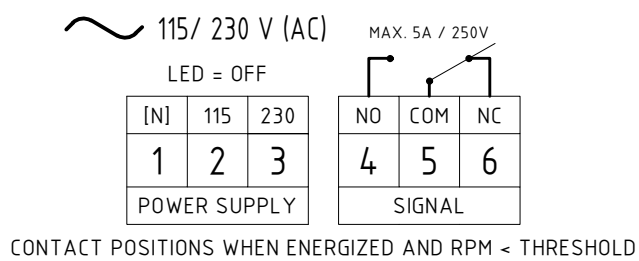


Terminals : screw terminal block (cross-head)
0,13 ... 2,5 mm² / AWG 26... AWG 14

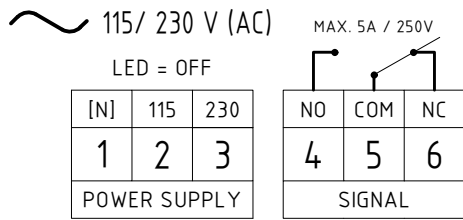


SMD20

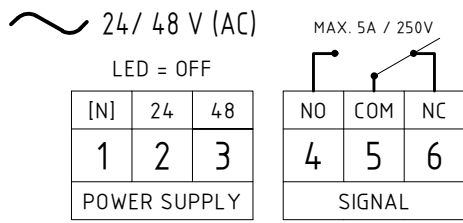
© CAMLogic, 2021
- ALL RIGHTS RESERVED-

Model	SMD20		
Weight	1,5 [kg]		
Power supply	- Bivoltage 115/230[V] (50...60Hz) - 1,6[W] - Bivoltage 24/48[V] (50...60Hz) - 1,6[W] - DC 24[V] ±15% - 1,6[W]		
Signal	SPDT / max. 5[A]-250VAC		
IP grade	IP65		
Housing	Aluminium (powder coated)		
Connection	4 x M6 / 90 [mm]		
Ambient temperature	-15 < Ta < +60 [°C]		
Range	1 ... 999 [rpm]		
Directives	2011/65/EU (RoHS) 2014/30/EU (EMC) 2014/34/EU (ATEX) 2014/35/EU (LVD)		
Ex Marking	Ex II 2D Ex tD A21 IP65 T87°C		
© CAMLogic Via dell'Industria 12 42025 Cavriago (RE) - ITALY www.camlogic.it		DRAWING N. 0602_0019_00	SHEET: 1 OF 4 REV: 0
GENERAL TOL.: ISO 2768-mH		UNLESS OTHERWISE SPECIFIED DRAWING FROM CAD SYSTEM - REFER TO 3D MODEL FOR MISSING DIMENSION - NO MANUAL MODIFICATION ALLOWED	SCALE: 1:2 DRAWN NR DATE 02.11.2021

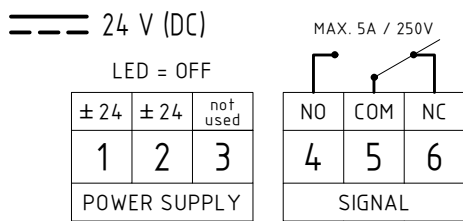
Terminals : screw terminal block (cross-head)
0,13 ... 2,5 mm² / AWG 26... AWG 14



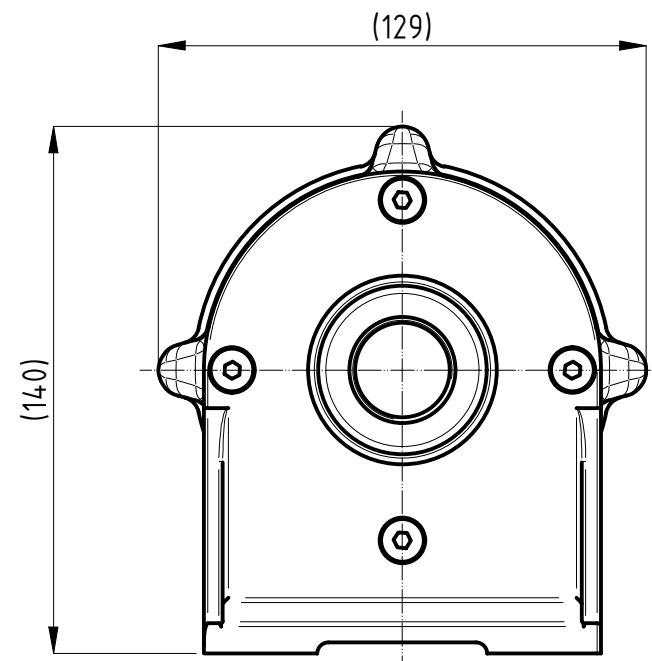
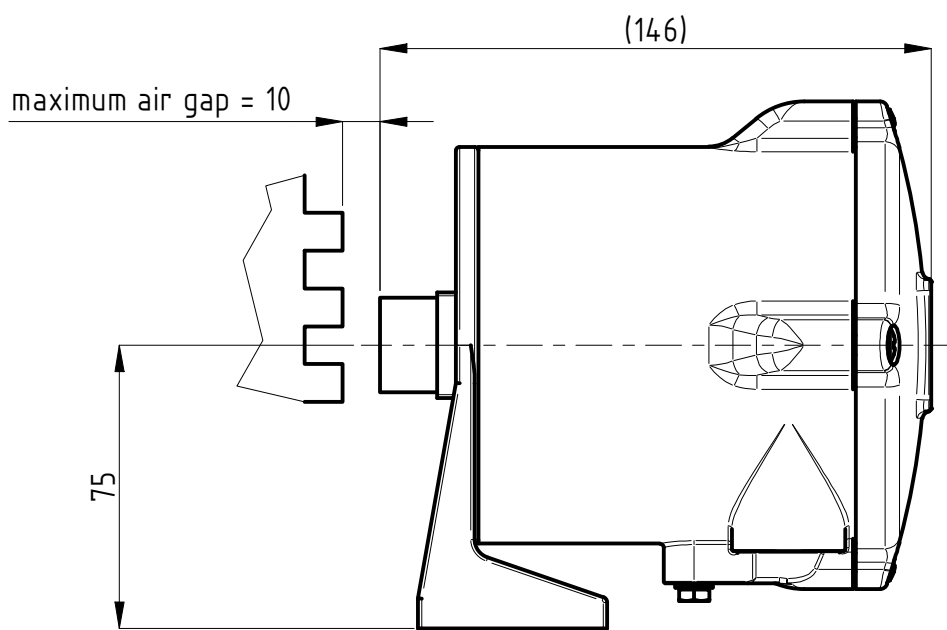
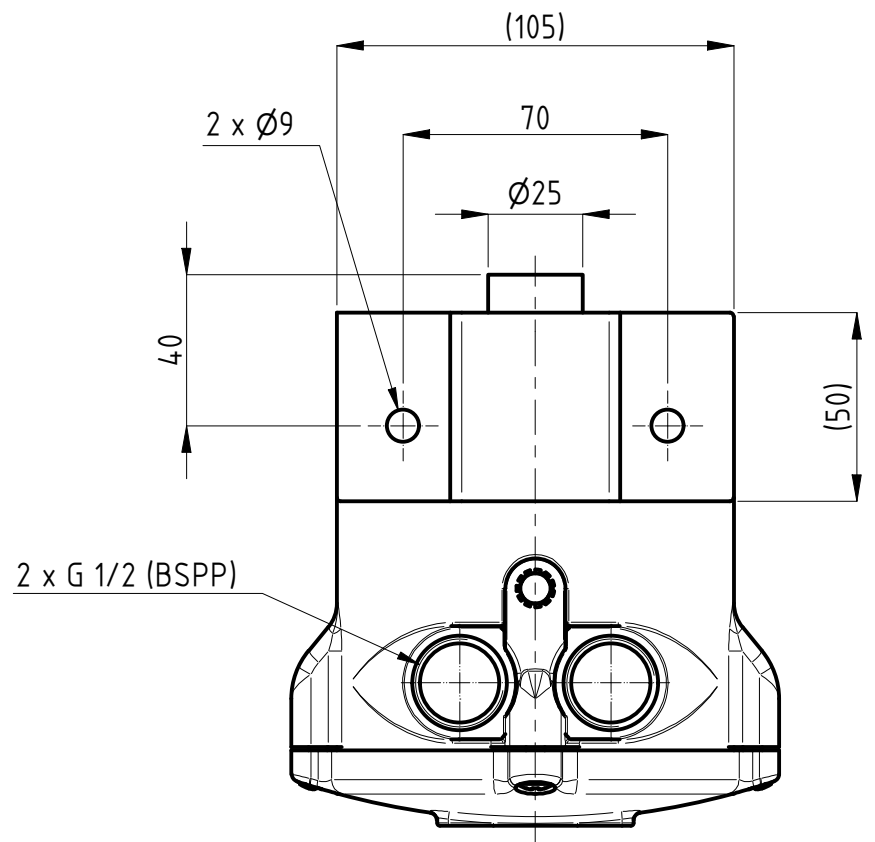
CONTACT POSITIONS WHEN ENERGIZED AND RPM < THRESHOLD



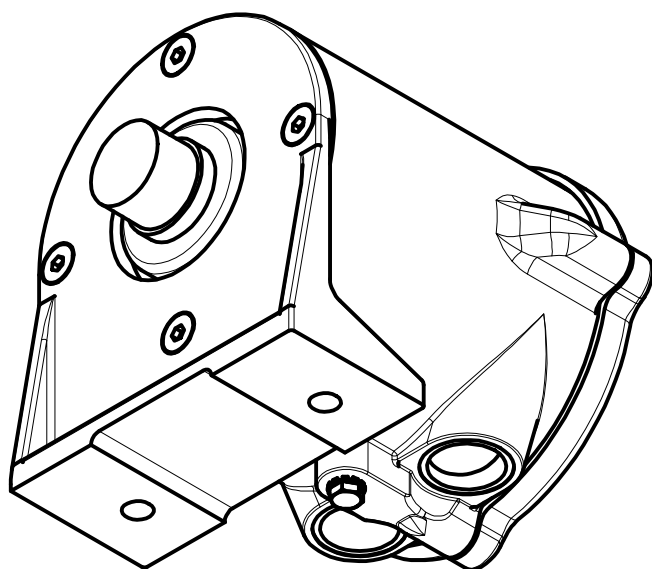
CONTACT POSITIONS WHEN ENERGIZED AND RPM < THRESHOLD



CONTACT POSITIONS WHEN ENERGIZED AND RPM < THRESHOLD



SMD20P

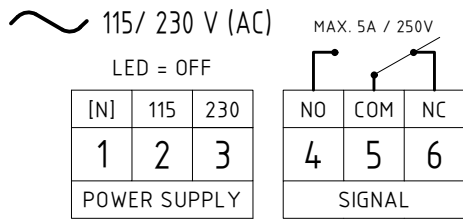


© CAMLogic, 2021
- ALL RIGHTS RESERVED-

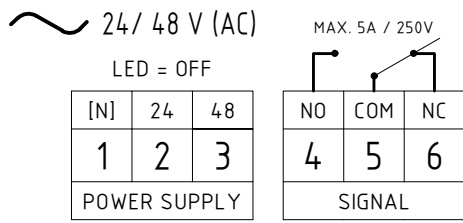
Model	SMD20P
Weight	1,6 [kg]
Power supply	- Bivoltage 115/230[V] (50...60Hz) - 1,6[W] - Bivoltage 24/48[V] (50...60Hz) - 1,6[W] - DC 24[V] ±15% - 1,6[W]
Signal	SPDT / max. 5[A]-250VAC
IP grade	IP65
Housing	Aluminium (powder coated)
Connection	bracket (aluminum)
Ambient temperature	-15 < Ta < +60 [°C]
Range	10 ... 2000 [rpm] (30 ... 6000 pulse/min)
Directives	2011/65/EU (RoHS) 2014/30/EU (EMC) 2014/34/EU (ATEX) 2014/35/EU (LVD)
Ex Marking	Ex II 2D Ex tD A21 IP65 T87°C

® CAMLogic Via dell'Industria 12 42025 Cavriago (RE) - ITALY www.camlogic.it	CAMLogic ®	DRAWING N.	SHEET:
		0602_0019_00	2 OF 4
GENERAL TOL.: ISO 2768-mH	UNLESS OTHERWISE SPECIFIED DIMENSION ARE IN [mm]	SCALE: 1:2	REV: 0
DRAWING FROM CAD SYSTEM - REFER TO 3D MODEL FOR MISSING DIMENSION - NO MANUAL MODIFICATION ALLOWED		DATE	02.11.2021

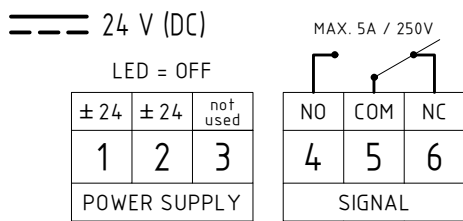
Terminals : screw terminal block (cross-head)
0,13 ... 2,5 mm² / AWG 26... AWG 14



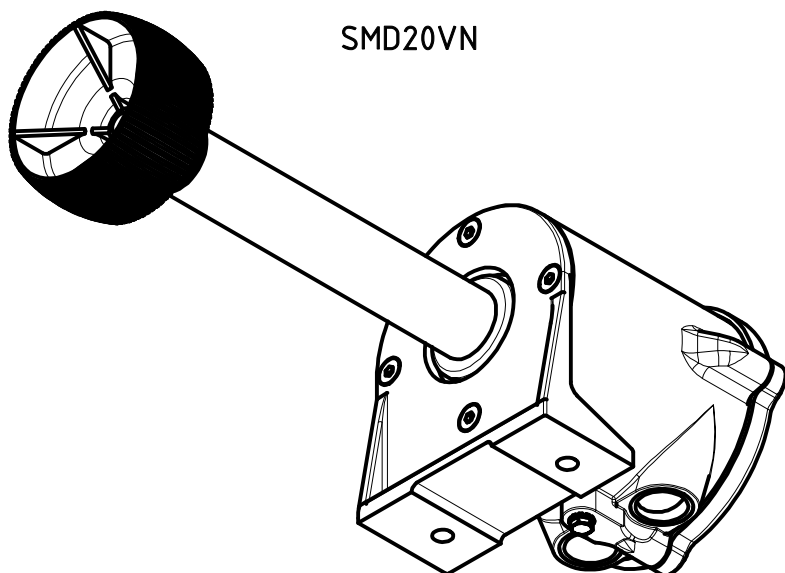
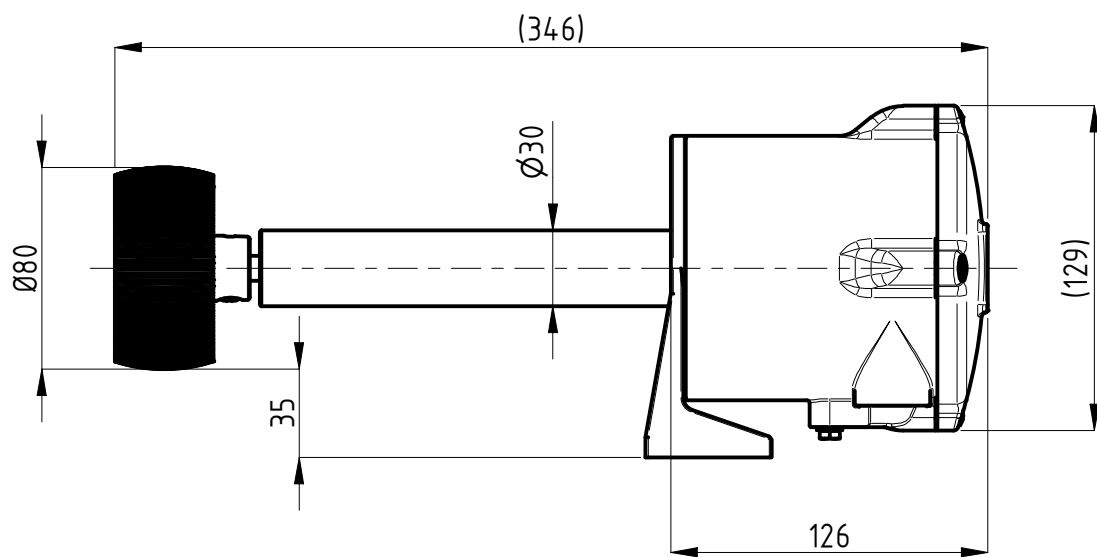
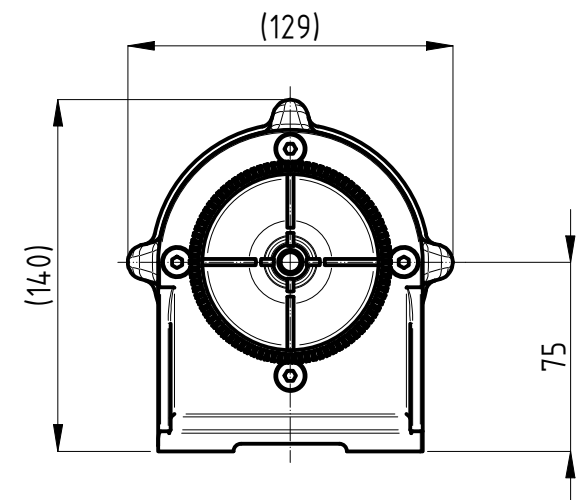
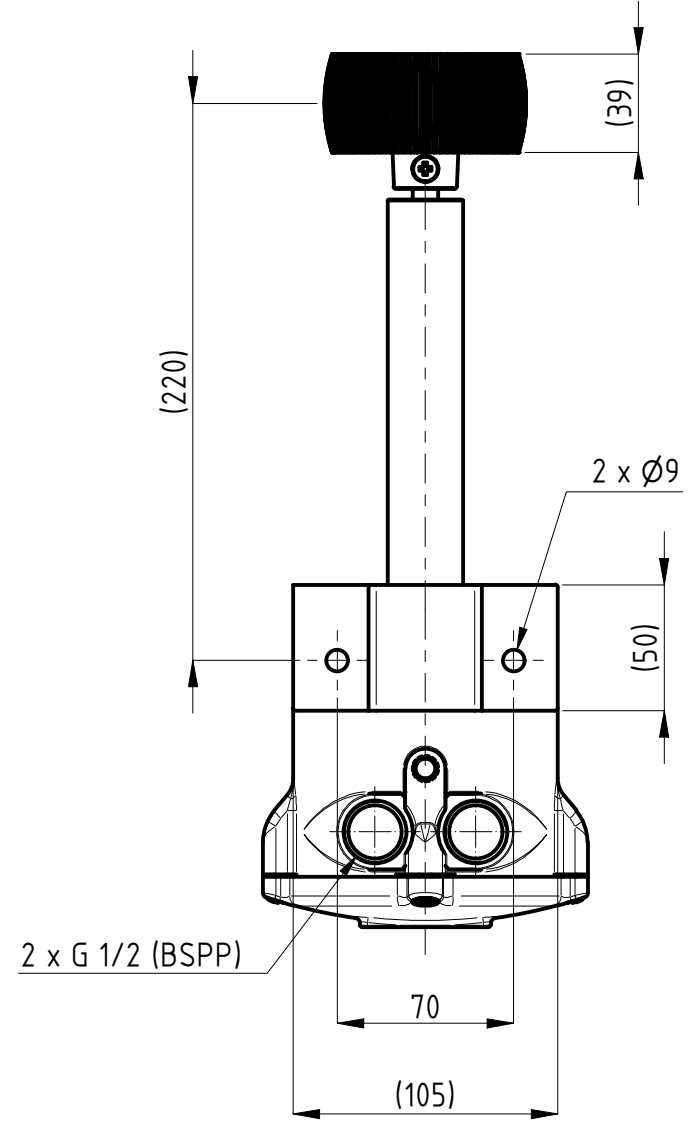
CONTACT POSITIONS WHEN ENERGIZED AND RPM < THRESHOLD



CONTACT POSITIONS WHEN ENERGIZED AND RPM < THRESHOLD



CONTACT POSITIONS WHEN ENERGIZED AND RPM < THRESHOLD



SMD20VN

Model	SMD20VN
Weight	1,6 [kg]
Power supply	- Bivoltage 115/230[V] (50...60Hz) - 1,6[W] - Bivoltage 24/48[V] (50...60Hz) - 1,6[W] - DC 24[V] ±15% - 1,6[W]
Signal	SPDT / max. 5[A]-250VAC
IP grade	IP65
Housing	Aluminium (powder coated)
Connection	bracket (aluminum)
Ambient temperature	-15 < Ta < +60 [°C]
Range	0,5 ... 900 [mm/s]
Directives	2011/65/EU (RoHS) 2014/30/EU (EMC) 2014/34/EU (ATEX) 2014/35/EU (LVD)
Ex Marking	Ex II 2D Ex tD A21 IP65 T87°C

© CAMLogic, 2021
- ALL RIGHTS RESERVED-

® CAMLogic
Via dell'Industria 12
42025 Cavriago (RE) - ITALY
www.camlogic.it

CAMLogic®

DRAWING N.

0602_0019_00

SHEET:
3 OF 4

REV: 0

GENERAL TOL.: ISO 2768-mH

UNLESS OTHERWISE SPECIFIED
DIMENSION ARE IN [mm]

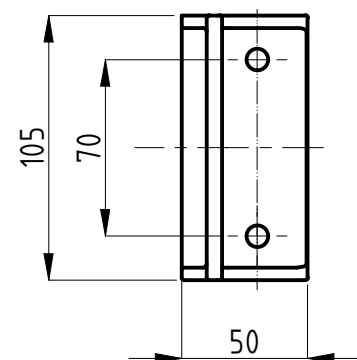
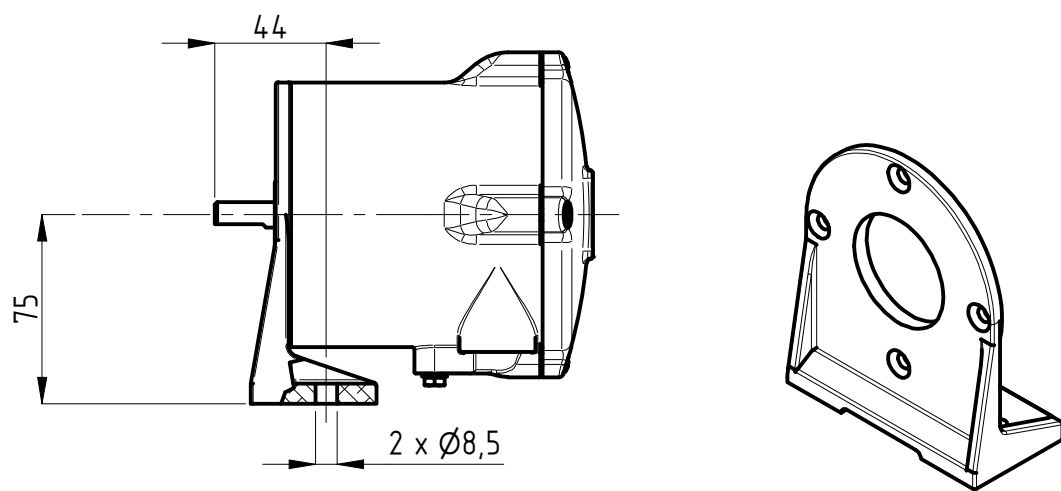
DRAWING FROM CAD SYSTEM - REFER TO 3D MODEL FOR
MISSING DIMENSION - NO MANUAL MODIFICATION ALLOWED

SCALE: 1:3

DRAWN NR
DATE 02.11.2021

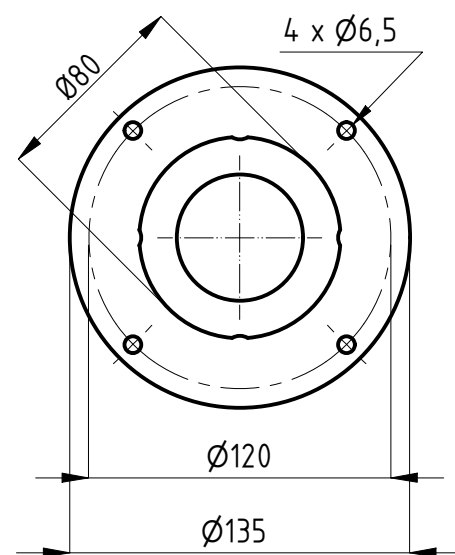
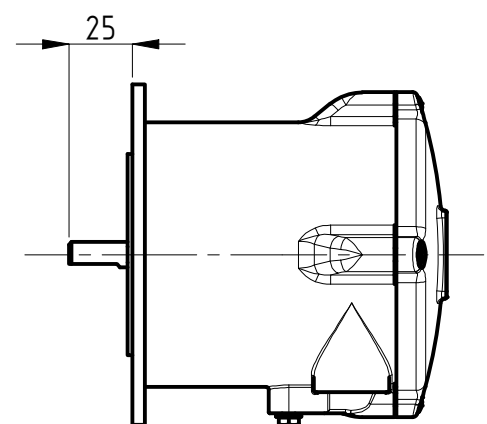
SIZE UNI A3

OPTIONS



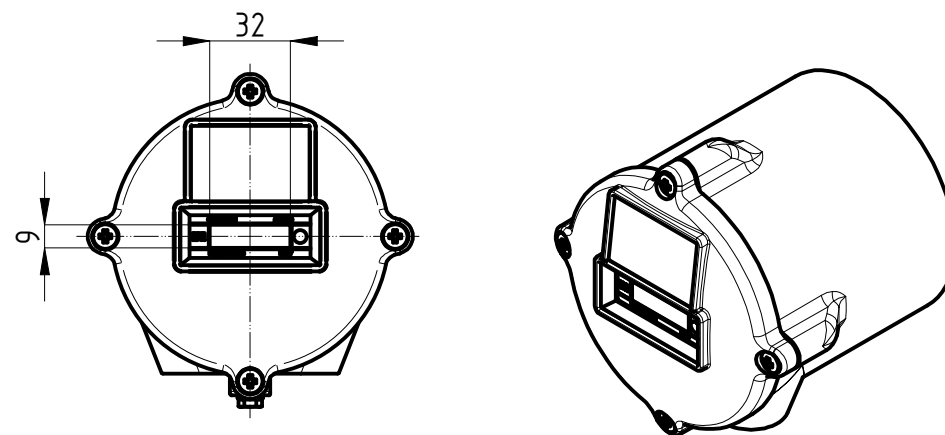
BRACKET

Made in die-cast aluminium.
2 fixing holes Ø8,5, distance 70mm



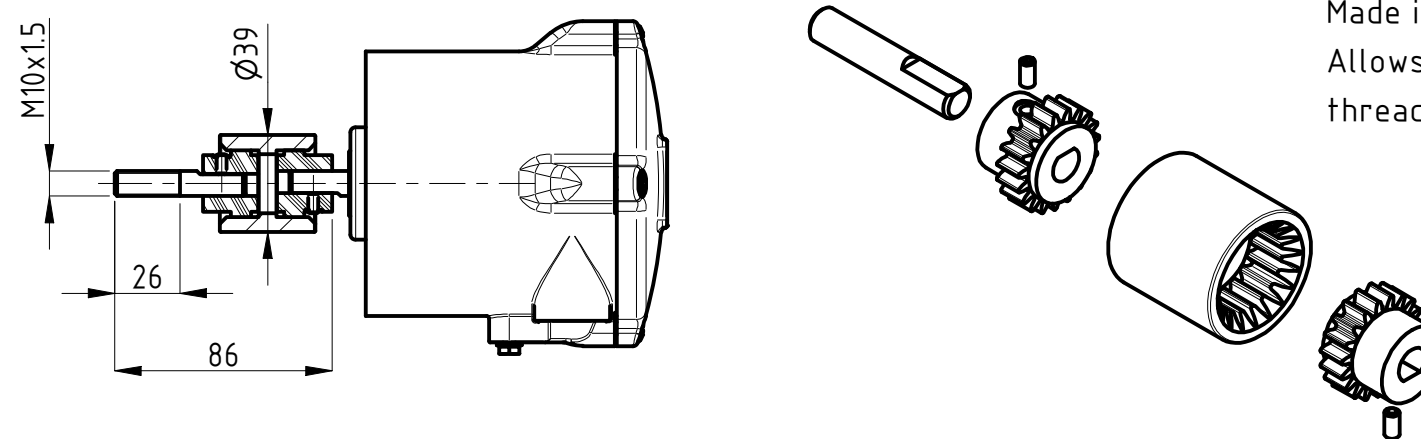
FLANGE

Made in die-cast aluminium.
4 fixing holes Ø6,5 on 120 mm diameter



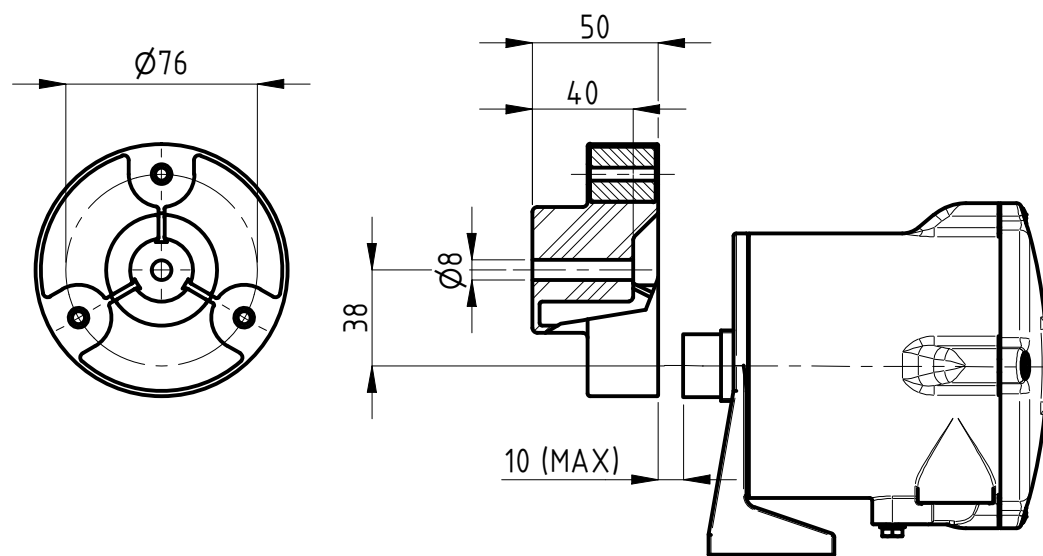
EXTERNAL DISPLAY

Allows the visualization of the [rpm] detected by the instrument.
Not available for SMD20/P nor SMD20/VN.



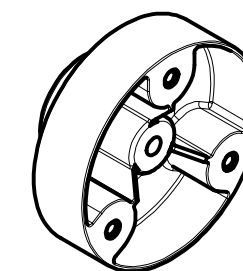
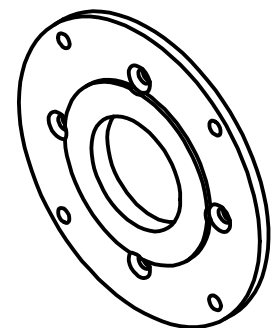
CONNECTION JOINT

Made in polyamide.
Allows connection via M10 threaded hole.



FERROMAGNETIC ACTUATOR

Made in polyamide with iron inserts. Only for SMD20/P.
To be fixed on the axis to be controlled.



© CAMLogic, 2021
- ALL RIGHTS RESERVED -

© CAMLogic
Via dell'Industria 12
42025 Cavriago (RE) - ITALY
www.camlogic.it

CAMLogic

DRAWING N.
0602_0019_00

SHEET:
4 OF 4

GENERAL TOL.: ISO 2768-mH

UNLESS OTHERWISE SPECIFIED
DIMENSION ARE IN (mm)
DRAWING FROM CAD SYSTEM - REFER TO 3D MODEL FOR
MISSING DIMENSION - NO MANUAL MODIFICATION ALLOWED

SCALE: 1:3

DRAWN NR
DATE 19.10.2021

SIZE UNI A3