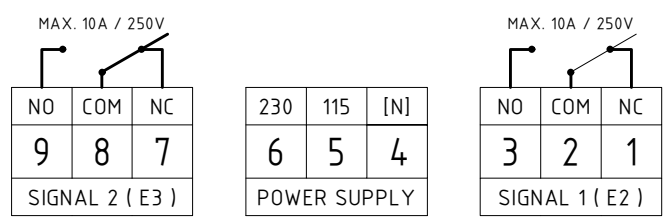
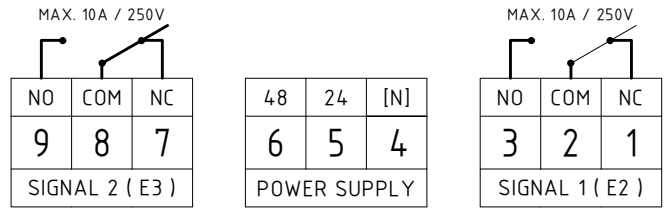


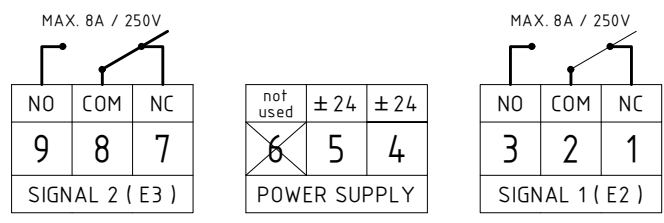
Terminals : male FASTON (.250 series / 6,3x0,8 mm)



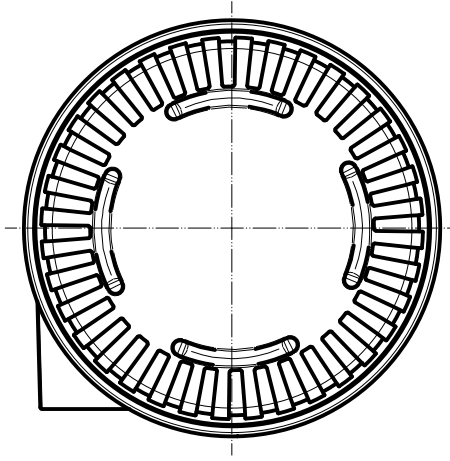
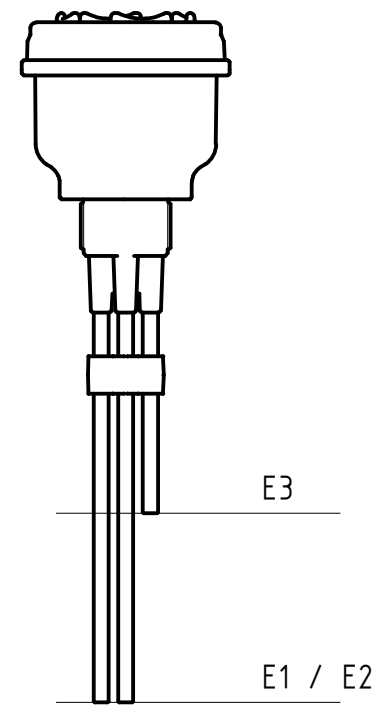
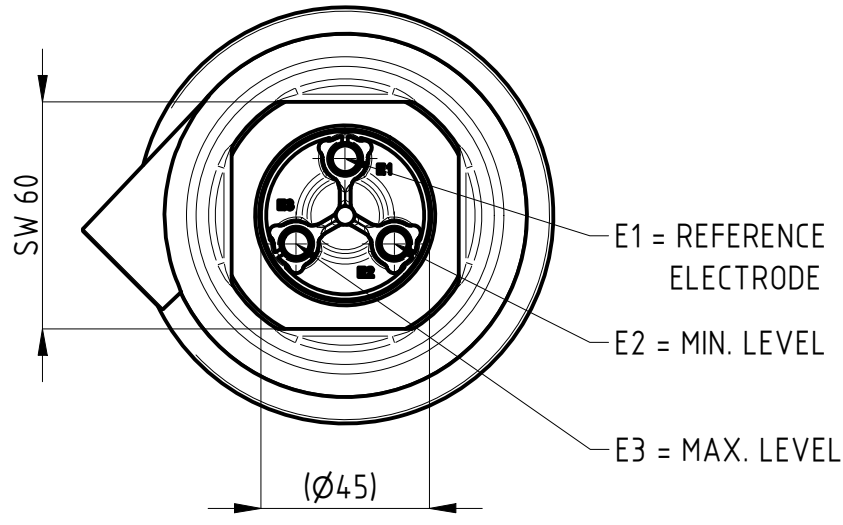
LED 2 = OFF 115/ 230 V (AC) LED 1 = OFF
CONTACT POSITIONS WHEN ENERGIZED AND MATERIAL NOT PRESENT



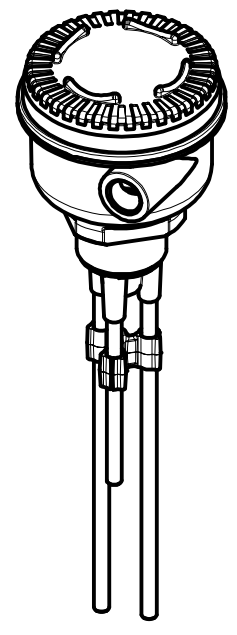
LED 2 = OFF 24/ 48 V (AC) LED 1 = OFF
CONTACT POSITIONS WHEN ENERGIZED AND MATERIAL NOT PRESENT



LED 2 = OFF 24V (DC) LED 1 = OFF
CONTACT POSITIONS WHEN ENERGIZED AND MATERIAL NOT PRESENT



(1 : 4)



| | |
|------------------------|--|
| Model | CLC40 |
| Weight | 2,2 [kg] |
| Power supply | - Bivoltage 115/230[V] (50...60Hz) - 1[W] - Bivoltage 24/48[V] (50...60Hz) - 1[W] - DC 24[V] ±15% - 1[W] |
| Signal | SPDT / max. 8[A]-250VAC |
| IP grade | IP67 |
| Sensitivity | minimum liquid conductance 5µS/cm |
| Housing | Polyamide (reinforced) |
| Connection | G 1" 1/2 - polyamide |
| Electrode material | AISI 316 |
| Ambient temperature | -10 < Ta < +70 [°C] |
| Process temperature | -10 < Tp < +90 [°C] |
| MAX liquid temperature | +90[°C] |
| MAX process pressure | +15 [bar] |
| Directives | 2011/65/EU (RoHS) 2014/30/EU (EMC) 2014/35/EU (LVD) 1935/2004/EU (Food Compliance) |

**CONFIDENTIAL / PROPRIETARY
DO NOT DISTRIBUTE**
© CAMLogic
- ALL RIGHTS RESERVED -

DRAWING N. _____ SHEET: 1 OF 2
 Via dell'Industria 12 42025 Cavriago (RE) - ITALY www.camlogic.it REV: 00
 GENERAL TOL.: ISO 2768-mH UNLESS OTHERWISE SPECIFIED DRAWING FROM CAD SYSTEM - REFER TO 3D MODEL FOR MISSING DIMENSION - NO MANUAL MODIFICATION ALLOWED SCALE: 1:2 DRAWN NR _____ DATE 02.11.2021