

WECON

PRODUCTS CATALOG

PLC&HMI

Programable Logical Controller

Human Machine Interface



WECON Technology Co.,Ltd.
Addr: 10th building , E field , Software Park , Fuzhou , Fujian , China
Tel: +86 591 87868869
Fax: +86 591 87868869 ext 805
Website: www.we-con.com/en/en
Skype : Sales Representative: Besidingdoodmind
Technical Support: fcwkkj
Email: Sales Representative: sales@we-con.com.cn
Technical Support: liux@we-con.com.cn



Human Machine Interface Pioneer



Inheritance • Innovation • Insight



WEB SCADA

WECON PI-series HMI Interface

> Introducing WEB SCADA

The latest Internet technology HTML5 has been introduced to WECON HMI programming system. This revolutionary innovation brings the following breakthroughs:

- Beautiful screen interface
- Online monitoring
- Database accessing
- Easy programming

WECON HMI
Easy, Efficient, Economical

HARDWARE FEATURES

PI-Series Human Machine Interface

Hardware



- CPU : 600/720MHz ARM Cortex A8
- Screen : TFT LCD 260,000 colors
- Storage : 128M/4G EMMC Flash storage
- 5 serial port : RS232/RS485/RS422
- Memory : 128M/512M DDRIII
- Ethernet · CAN bus



Compatible Devices

- USB Camera
- Micro printer
- WiFi
- USB scanner
- Serial scanner
- IC card/stripe reader
- Laser printer
- Network printer
- USB fingerprint scanner
- CAN DEVICE
- RS232/RS485/RS422
- WEB camera



SOFTWARE FEATURES

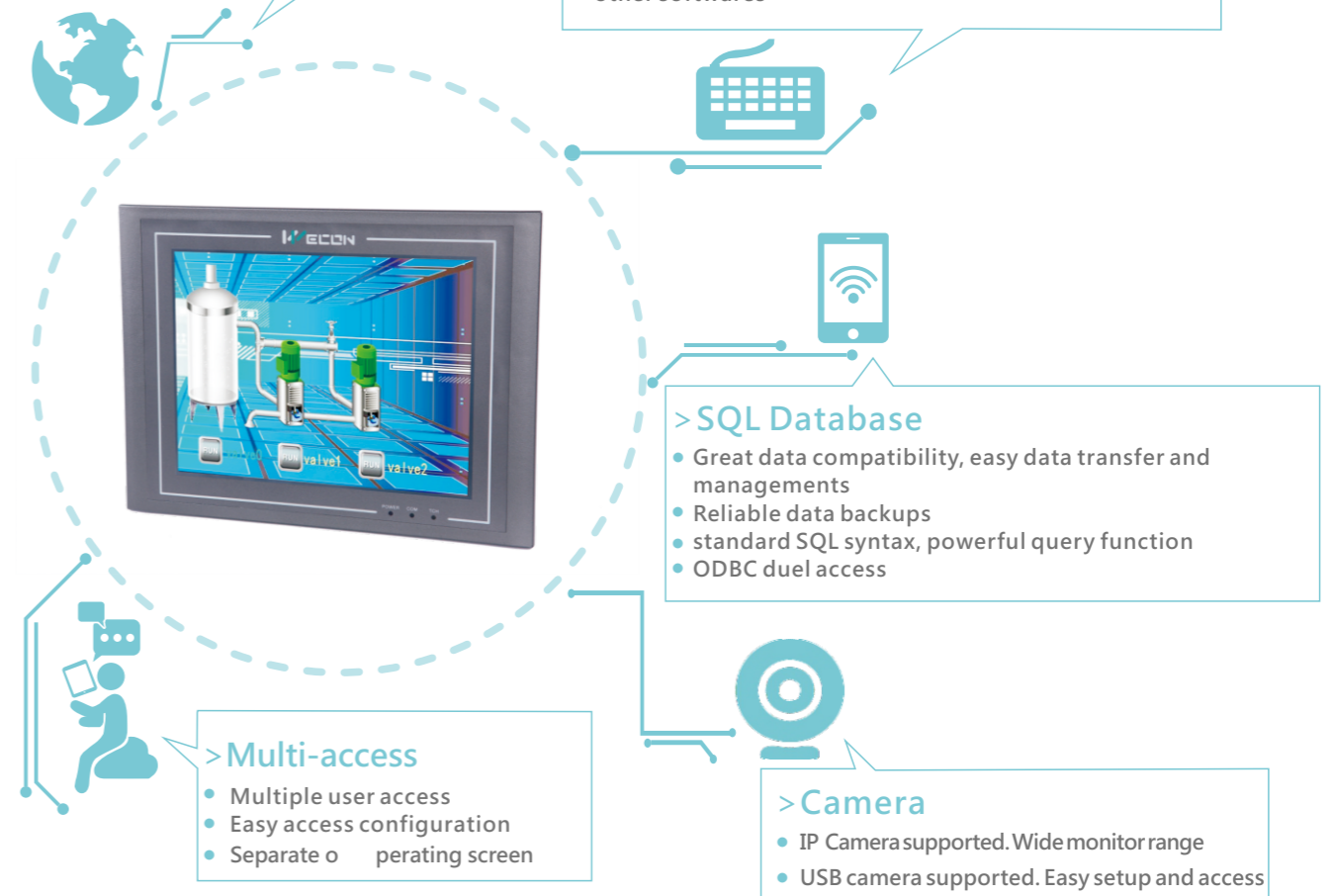
PI-Series Human Machine Interface

> Remote control

- compatible for all HTML based browsers, phones, tablets and computers
- project easily transfer though internet

> Linux OS

- Pre-installed Linux-3.2.0 OS
- Easily application developments though PI-studio and other softwares



▶ PI3000 SPECIFICATIONS

Economical



Model

PI3070

PI3102

OS		Linux QT		
CPU		Cortex A8 600MHz		
Display	Screen Size	7 Inch	10.2 Inch	
	Resolution	800 x 480		
	Brightness	300 cd/m ²		
	Contract	500:1		
	Backlight	LED		
	Backlight Life	50,000 Hours		
Color		16,000k colors (24bit)	260k colors (18bit)	
Touch Screen		High precision four-wire resistive		
Storage	Flash	128MB		
	RAM	DDRIII 128MB		
	SD card	Compatible		
Ports	USB Host	USB 2.0 x 1		
	USB Client	USB 2.0 x 1		
	Serial Port	2 Serial Ports		
		COM1: RS232/RS422/RS485		
			COM2: RS232/RS485	
	Ethernet	Optional		
CAN	N/A			
Power	Power Supply	24V DC(12-28V DC)		
	Power	<10W		
	Power Isolation	N/A		
	Withstand Voltage	500V AC 1 minute		
	Insulation Resistance	Upon 20MΩ 500VDC		
	Seismic resistance	10 ~ 25 Hz (X, Y, Z direction 2G/30 minutes)		
Dimension	Shell	ABS		
	Dimension(mm)	201.0W*146.6H*36.5D	272.0W*190.5H*41.4D	
	Mounting size(mm)	192.0W*138.0H	260.0W*179.0H	
Environment	Protection	IP65 (Front panel)		
	Storage Temperature	-30 ~ 70		
	Working Temperature	-10 ~ 60		
	Humidity	10 ~ 90 RH		
CE Certification	EN61000-6-2 2005 EN61000-6-4 2007 Standard			
FCC Certification	FCC Class A			
Software	PI Studio			

▶ PI8000 SPECIFICATIONS

Advanced



Model

PI8070

PI8102

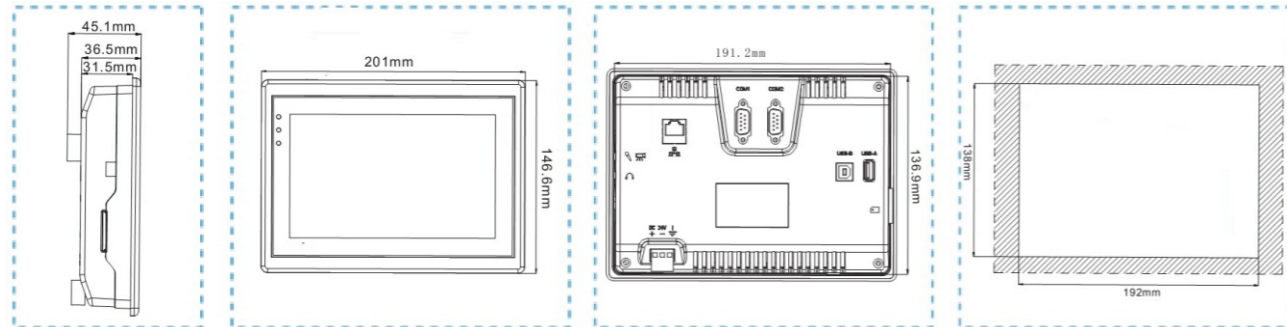
PI8104

PI8150

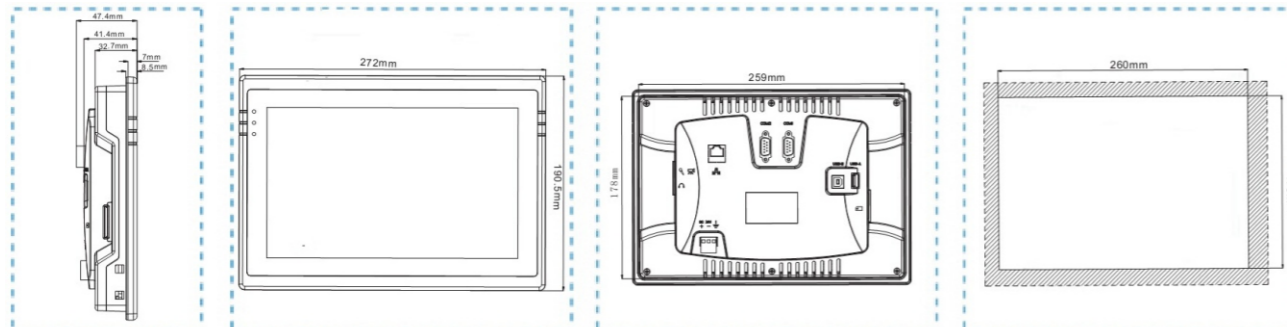
OS		Linux QT			
CPU		Cortex A8 720MHz			
Touch Screen		High precision four-wire resistive			
Display	Screen Size	7 Inch	10.2 Inch	10.4 Inch	15 Inch
	Resolution	800*480	800*480	800*600	1024*768
	Brightness	300 cd/m ²	300 cd/m ²	300 cd/m ²	400 cd/m ²
	Contract	500:1			
	Backlight	LED			
	Backlight Life	50,000 Hours			
	Colors	16,000k colors (24bit)	260k colors (18bit)	260k colors (18bit)	260k colors (18bit)
	Storage	Flash	4GB EMMC		
RAM		DDRIII 512MB			
SD Card		Compatible			
Ports	USB port	USB Host: USB 2.0 x 1 USB Client: USB 2.0 x 1			
	Serial Port	COM1: RS232, RS422/RS485			
		COM2: RS232, RS485			
		COM3: RS485			
	Ethernet	PI 8070N	PI 8102N	PI 8104N	PI 8150N
	CAN	PI 8070C	PI 8102C	PI 8104C	PI 8150C
Power	Power Supply	24V DC(12~28V DC)			
	Power	<10W	<10W	<10W	<20W
	Power Isolation	Built-in Power Isolation			
	Withstand Voltage	500V AC (<1 minute)			
	Insulation Resistance	> 20MΩ 500VDC			
	Seismic resistance	10 ~ 25 Hz (X, Y, Z direction 2G/30 minute)			
Dimension	Shell	ABS			
	Dimension (mm)	201.0W*146.6H*36.5D	272.0W*190.5H*41.4D	299.0W*222.0H*54.0D	420.0W*310.0H*62.0D
	Mounting size (mm)	192.0W*138.0H	260.0W*179.0H	288.0W*212.0H	381.0W*281.0H
	Weight (KG)	0.6	1.2	1.9	5.0
Environment	Protection	IP65 (Front panel)	IP65 (Front panel)	IP65 (Front panel)	IP51 (Front panel)
	Temperature	Storage: -30 ~70 Δ Working: -10 ~60			
	Humidity	10 ~ 90 RH			
CE Certification	EN61000-6-2 2005 EN61000-6-4 2007 Standard				
FCC Certification	FCC Class A				
Programming Software	PI Studio				

▶ MOUNTING SIZE

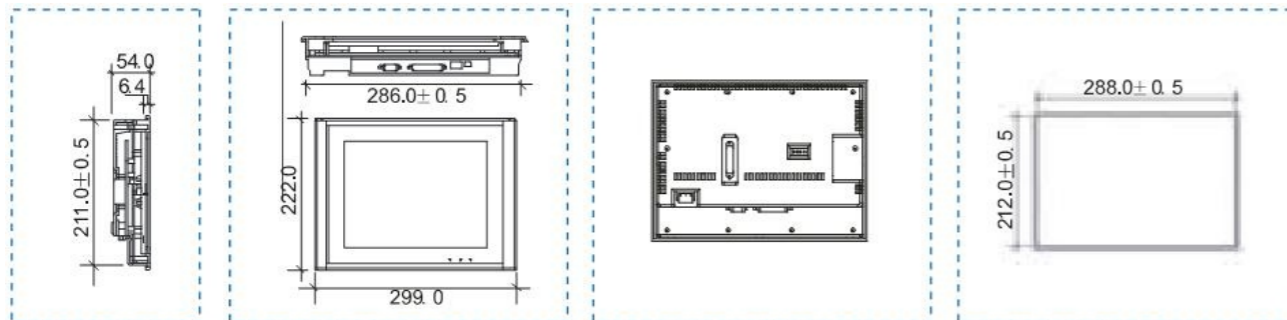
PI8070 / PI3070 >>



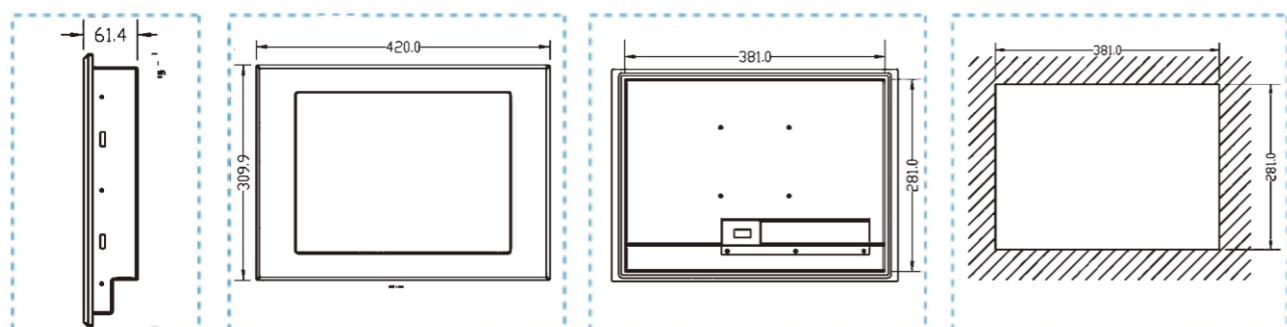
PI8102 / PI3102 >>



PI8104 >>



PI8150 >>



SOFTWARE FEATURES

LEVI-Series Human Machine Interface

Administration >>

Recipe Browser >>

- Massive recipe data supported
- Recipe transfer is controlled by PLC
- Easily change the recipe name and formula on HMI

- Level to level administration ensure your data and operation on HMI is secured
- All operation history will be recorded



Installments >>

- Maximum 12 payments
- Dynamic password setting
- Flexible and simple password setup

SMS module >>

- The HMI data can be monitored though SMS messages
- The HMI can be controlled by SMS messages

▶ LEVI SERIES SPECIFICATIONS

LEVI SERIES



Model		LEVI430T	LEVI700EL	LEVI700E
General	Screen Size	4.3 Inch	7 Inch	7 Inch
	Resolution	480*272	800*480	800*480
	Color	65536 color		
	Brightness	300 cd/m ²		
	Backlight	LED		
	Touch Screen	High precision four-wire resistive		
	Backlight Life	50000 hours		
	CPU	32-bits 400MHz RISC		
	Storage	128M FLASH + 64M DDRAM		
	RTC	256KB		
	Printer Port	USB printer/ Serial port Printer		
	USB Port	USB Host + USB Client		
	COM	COM1	RS232/RS422/RS485	RS232/RS422/RS485
COM2		(RS232+RS422)	--	COM2:RS232/RS485
COM3		--	--	Optional
Power	Power	< 5W		< 8W
	Power Supply	DC 24V 12 ~ 28V DC		
	Allowed Power Fail	< 5ms		
	Insulation Resistance	> 20MΩ 500VDC		
	Withstand Voltage	500V AC <1 minute		
Dimension	Shell	ABS, Black		
	Dimension (mm)	138.0W*86.0H*37.0D	212.0W*146.0H*36.0D	212.0W*146.0H* 36.0D
	Mounting size (mm)	131.0W* 79.0H	192.0W*138.0H	192.0W* 138.0H
	Net / Gross (KG)	0.3/0.6	0.6 / 1.0	0.6/1.0
Operate Environment	Temperature	Working Temperature -10 ~ 60 Δ Storage Temperature -20 ~ 70		
	Humidity	Working humidity 10 ~ 90 RH Storage humidity 10 ~ 90 RH		
	Seismic Resistance	10 ~ 25 Hz (X, Y, Z direction 2G/30 minutes)		
	Cooling	Air cooling		
Extension	Ethernet	--	--	LEVI 700E-N
	CAN	--	--	LEVI 700E-C
	TTS	--	--	LEVI 700E-TTS
	COM3	--	--	LEVI 700E-E
Protection	IP65 ((Front panel))			
CE Certification	EN61000-6-2 2005 EN61000-6-4 2007 Standard			
FCC Certification	FCC Class A			

▶ LEVI SERIES SPECIFICATIONS

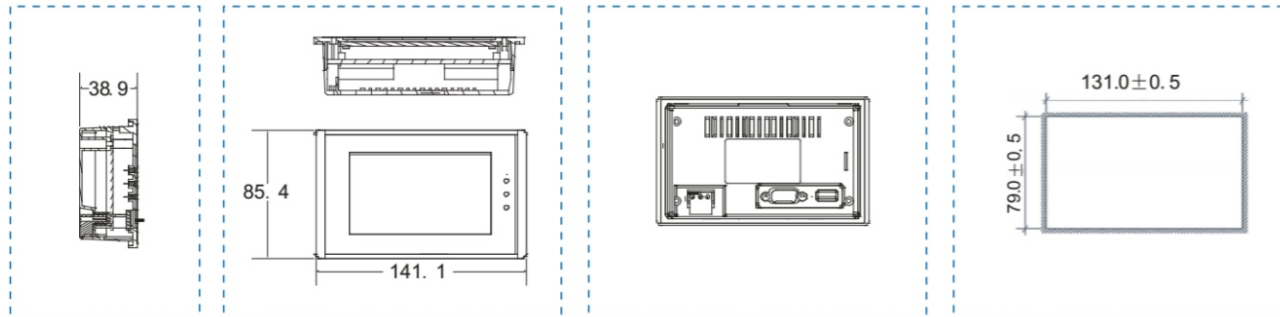
LEVI SERIES



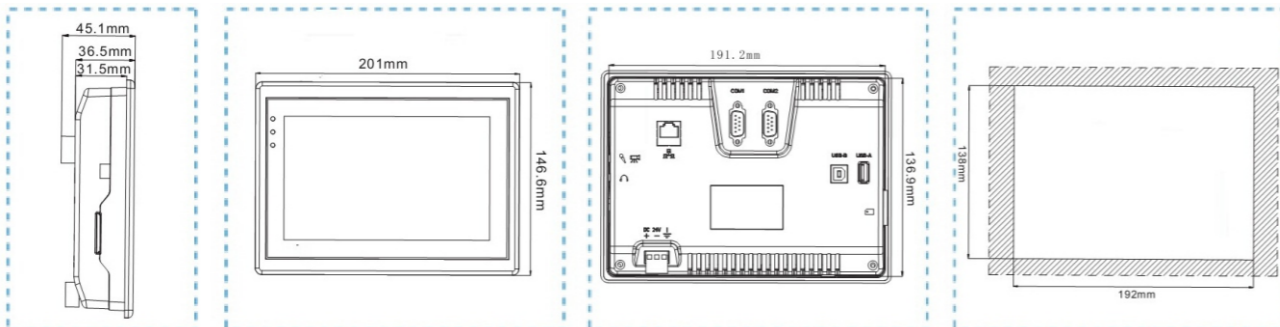
Model		LEVI102EL	LEVI102E	LEVI910T
General	Screen Size	10.2 Inch	10.2 Inch	10.4 Inch
	Resolution	800*480	800*480	800*600
	Color	65536 Color		
	Brightness	300 cd/m ²		
	Backlight	LED		
	Touch Screen	High precision four-wire resistive		
	Backlight Life	50000 hours		
	CPU	32-bits 400MHz RISC		
	Storage	128M FLASH + 64M DDRAM		
	RTC	256KB		
	Printer Port	USB printer/ Serial port Printer		
	USB Port	USB Host + USB Client		
	COM	COM1	RS232/RS422/RS485	RS232/RS422/RS485
COM2		--	RS232/RS485	RS232/RS485
COM3		--	Optional	Optional
Power	Power	Less than 8W	Less than 8W	Less than 10W
	Power Supply	DC 24V 12 ~ 28V DC		
	Allowed Power Fail	DC 24V 12 ~ 28V DC		
	Insulation Resistance	< 5ms		
	Withstand Voltage	Upon 20MΩ 500VDC		
Dimension	Shell	500V AC <1 minute		
	Dimension (mm)	272.0W*195.5H*36.0D	272.0W*190.5H*36.0D	299.0W*222.0H*54.0D
	Mounting size (mm)	260.0W*179.0H	260.0W*179.0H	288.0W*212.0H
	Net / Gross (KG)	1.2 / 1.7	1.2 / 1.7	1.9 / 2.5
Environment	Temperature	Working Temperature -10 ~ 60 Δ Storage Temperature -20 ~ 70		
	Humidity	Working humidity 10 ~ 90 RH Storage humidity 10 ~ 90 RH		
	Seismic Resistance	10 ~ 25 Hz (X Y Z direction 2G/30 minutes)		
	Cooling	Air cooling		
Extension	Ethernet	--	LEVI 102E-N	LEVI 910T-N
	CAN	--	LEVI 102E -C	--
	TTS	--	LEVI 102E -TTS	--
	COM3	--	LEVI 102E -E	LEVI 910T-E
Protection	IP65 (Front panel)			
CE Certification	EN61000-6-2 2005 EN61000-6-4 2007 Standard			
FCC Certification	FCC Class A			

▶ Mounting Dimension

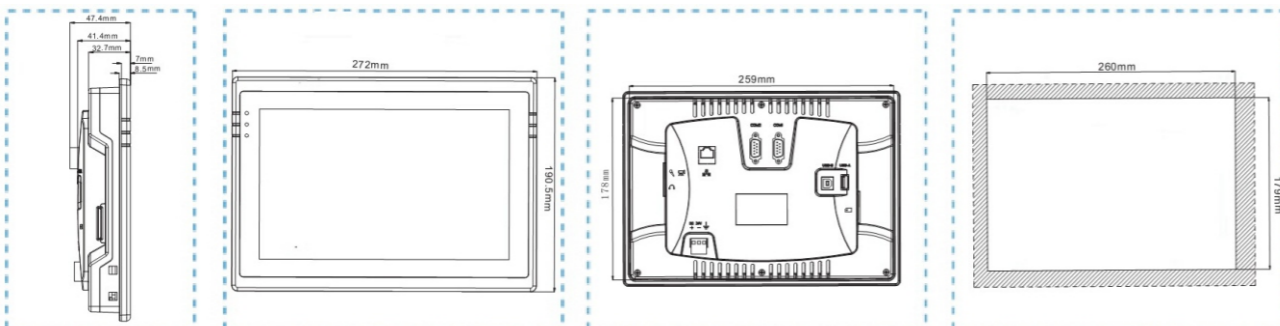
LEVI430T >>



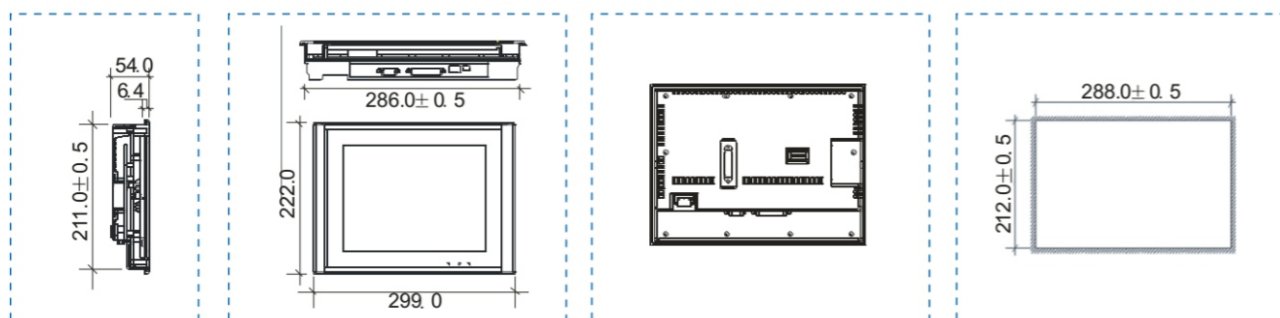
LEVI700E / LEVI700EL >>



LEVI102E / LEVI102EL >>



LEVI910T >>

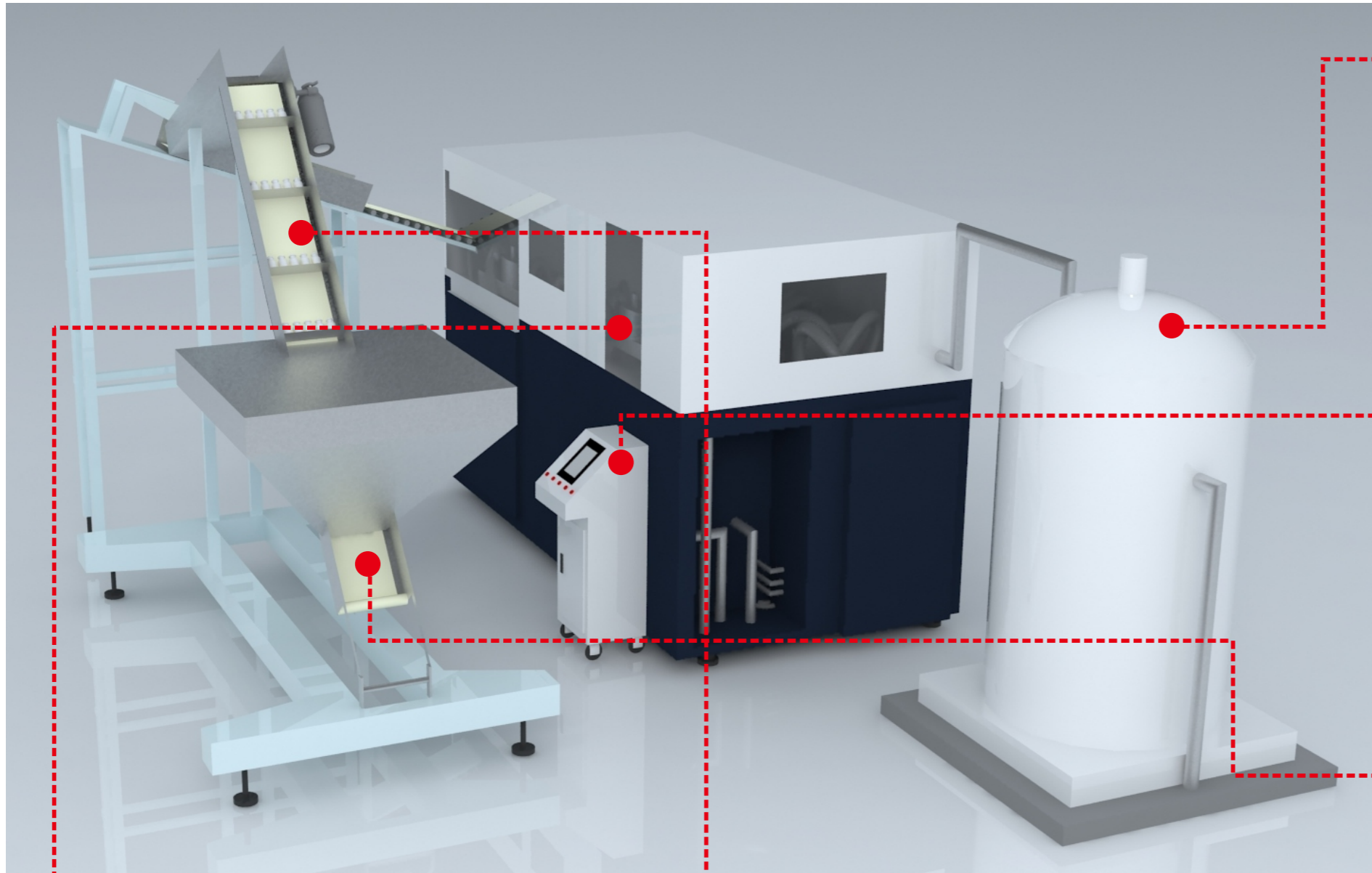


DEVICE SUPPORT

Manufacturer	Model / Protocol
Emerson	DKG2 , EC20 series
Allen-Bradley	MicroLogix 1000/1500
Delta	DVP Series
KEYENCE	KV Series
OMRON	CS/CP Series , FINS Ptotocol/CJ
Panasonic	FP Series
Mitsubishi	A Series/1N/2N/3U/Q Series/L02
Siemens	S7-200/S7-300(PPI,MPI)
Siemens(Ethernet)	S7-300/1200/200 smart
TECO	TP01/02/03 Series
HollySys	LK/LM MODBUS TCP
FATEK	FATEK Series/TCP ASCII
Schneider	Twido/Modicon
ASHRAE	BACnet
LG	K120S/K300S
INOVANCE	Whole series
Profibus	Profibus
Crouzet	CROUZET M3 (FBD)
MODBUS RTU	Slave/Master
MODBUS ASCII	Slave/Master
MODBUS TCP/IP	Slave/Master
VIGOR	Vigor PLC
Nanda Automation	MODBUS TCP/ASCII TCP
CAN BUS	J1939/CAN
SIEMENS	USS
DANFOSS	FC Series Inverter
WECON	LX Series/User-Defined Protocol

SOFTWARE&HARDWARE

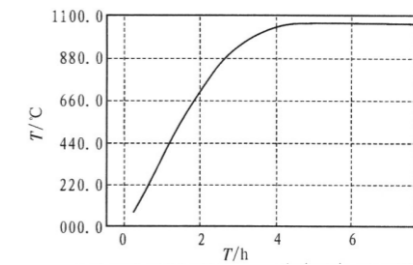
LX-Series Programmable Logic Controller



PID Control >>



- PID auto-tuning
- Quick response, great stability, smooth curve
- Easy configuration



USB/Multi-serial port >>

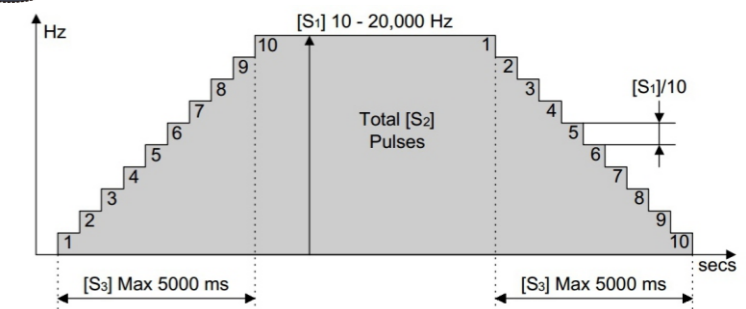


- USB monitoring and transferring data with PLC
- Maximum 6 protocol supported
- Easy PLC interconnections setup

High speed pulse >>



- Maximum 4 channels pulse output 200K*2, 10K*2
- Ramping, positioning pulse output



Kernel Encryption >>



- Unique Kernel Encryption
- Multiple security protection to prevent cracking

High Speed counter >>



- 6 channels high speed counter, 2*200K, 4*10K
- 2 channels AB pulse input
- Built-in 32bit high speed comparator

EXPANSION MODULE

WECON LX-SERIES

- Multi-module connection :
 - Maximum 16 analog modules (requires additional power supply)
 - Maximum 8 I/O modules
- AD module resolution: 16bits
- DA module resolution: 12bits
- PT/ TC module resolution: 14bits
 - PT100 sensor: -100 ~ +600 (degree centigrade)
 - K type sensor: -100 ~ +1200 (degree centigrade)
 - J type sensor: -100 ~ +600 (degree centigrade)
 - Compatible with PID commands



Weight Module



- Acquisition resolution: 24 bits
- Weight calibration
- Display gross or Net weigh, tare is adjustable
- Reset: rearrange all configurations to default
- Stability Check
- Auto-zero

Setting	Frequency
0	7.5Hz
1	10 Hz
2	25 Hz
3	50 Hz
4	60 Hz
5	150 Hz
6	300 Hz
7	600 Hz
8	960 Hz
9	2400 Hz



BD BOARD

WECON LX-SERIES

Mixed type

Small size



Low cost

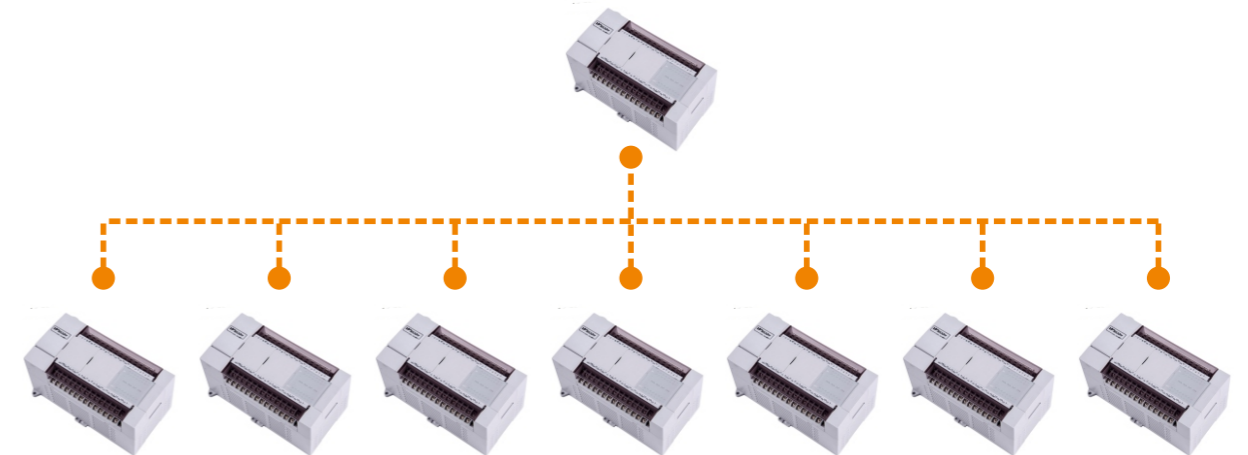
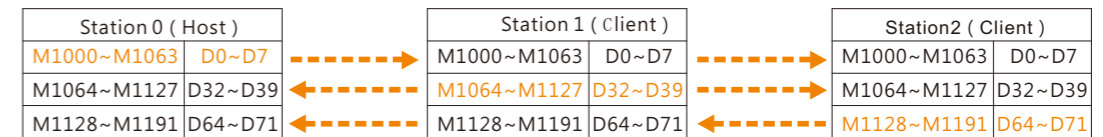
Dual BD-board access

Model	Resolution	Input / Output Range	Data Range
DA	12	Output Current 4~20mA	0~2000
AD	12	Input Current 4~20mA	0~2000
PT	14	Sensor: PT100 -100~600	-1000~6000
TC	14	Sensor: K type -100~1200	-1000~12000
		Sensor: J type -100~600	-1000~6000
DAV	12	Output Voltage: -10~10V	-2000~2000
ADV	12	Input Voltage: -10~10V	-2000~2000

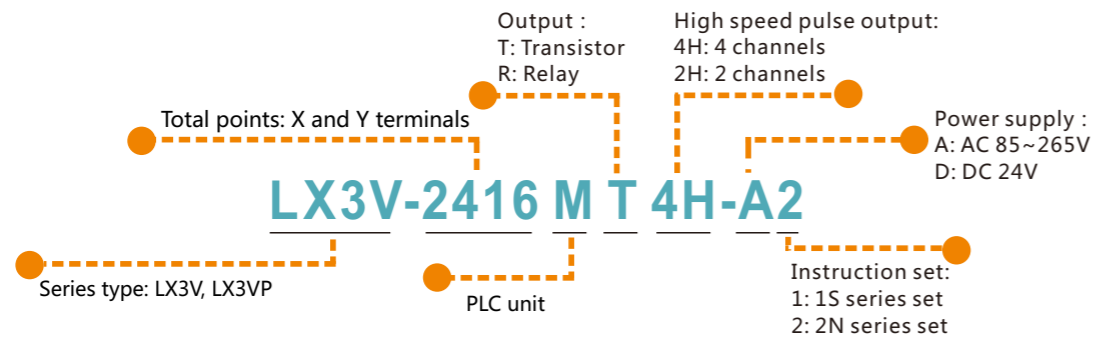
LX3VP N:N



- Maximum 8 LX series PLC can be connected though RS485 protocol to communicate
- 5 mode to choose, depend on required total connection address
- Quick data refresh



LX3V SERIES PLC



PLC Model	I/O	Output Type	Dimension (mm)	Pulse Counter	Pulse Output	RS485	BD Board	Module	Power Supply
LX3V-0806MR-A1 D1	8 / 6	Relay	75x107x87	2	0	1	1	No	AC DC
LX3V-0806MT-A1 D1	8 / 6	Transistor	75x107x87	2	2	1	1	No	AC DC
LX3V-1208MR-A1 D1	12 / 8	Relay	75x107x87	2	0	1	1	No	AC DC
LX3V-1208MT-A1 D1	12 / 8	Transistor	75x107x87	2	2	1	1	No	AC DC
LX3V-0806MR-A2 D2	8 / 6	Relay	75x107x87	2	0	1	1	No	AC DC
LX3V-0806MT-A2 D2	8 / 6	Transistor	75x107x87	2	2	1	1	No	AC DC
LX3V-1208MR-A2 D2	12 / 8	Relay	75x107x87	2	0	1	1	No	AC DC
LX3V-1208MT-A2 D2	12 / 8	Transistor	75x107x87	2	2	1	1	No	AC DC
LX3V-1212MR-A D	12 / 12	Relay	136x107x87	2	0	1	2	Yes	AC DC
LX3V-1212MT-A D	12 / 12	Transistor	136x107x87	2	2	1	2	Yes	AC DC
LX3V-1212MT4H-A D	12 / 12	Transistor	136x107x87	2	4	1	2	Yes	AC DC
LX3V-1212MR2H-A D	12 / 12	Mix	136x107x87	2	2	1	2	Yes	AC DC
LX3V-1412MR-A D	14 / 12	Relay	136x107x87	2	0	1	2	Yes	AC DC
LX3V-1412MT-A D	14 / 12	Transistor	136x107x87	2	2	1	2	Yes	AC DC
LX3V-1412MT4H-A D	14 / 12	Transistor	136x107x87	2	4	1	2	Yes	AC DC
LX3V-1412MR2H-A D	14 / 12	Mix	136x107x87	2	2	1	2	Yes	AC DC
LX3V-1616MR-A D	16 / 16	Relay	175x107x87	2	0	1	2	Yes	AC DC
LX3V-1616MT-A D	16 / 16	Transistor	175x107x87	2	2	1	2	Yes	AC DC
LX3V-1616MT4H-A D	16 / 16	Transistor	175x107x87	2	4	1	2	Yes	AC DC
LX3V-1616MR2H-A D	16 / 16	Mix	175x107x87	2	2	1	2	Yes	AC DC
LX3V-2416MR-A D	24 / 16	Relay	175x107x87	2	0	1	2	Yes	AC DC
LX3V-2416MT-A D	24 / 16	Transistor	175x107x87	2	2	1	2	Yes	AC DC
LX3V-2416MT4H-A D	24 / 16	Transistor	175x107x87	2	4	1	2	Yes	AC DC
LX3V-2416MR2H-A D	24 / 16	Mix	175x107x87	2	2	1	2	Yes	AC DC
LX3V-3624MR-A D	36 / 24	Relay	221x107x87	2	0	1	2	Yes	AC DC
LX3V-3624MT-A D	36 / 24	Transistor	221x107x87	2	2	1	2	Yes	AC DC
LX3V-3624MT4H-A D	36 / 24	Transistor	221x107x87	2	4	1	2	Yes	AC DC
LX3V-3624MR2H-A D	36 / 24	Mix	221x107x87	2	2	1	2	Yes	AC DC

LX3VP SERIES PLC

- 4 channels 200k pulse output :
- 64K Ladder program capacity
- N:N PLC interconnection, Maximum 8 devices
- T50~T191: 1 ms non-accumulated timer
- Support E-CAM



PLC Model	I/O	Output Type	Dimension (mm)	Pulse Counter	E-CAM	Pulse Output	RS485	BD Board	Module	Power Supply
LX3VP-0806MR-A1 D1	8 / 6	Relay	75x107x87	2	Yes	0	1	1	No	AC DC
LX3VP-0806MT-A1 D1	8 / 6	Transistor	75x107x87	2	Yes	2	1	1	No	AC DC
LX3VP-1208MR-A1 D1	12 / 8	Relay	75x107x87	2	Yes	0	1	1	No	AC DC
LX3VP-1208MT-A1 D1	12 / 8	Transistor	75x107x87	2	Yes	2	1	1	No	AC DC
LX3VP-0806MR-A2 D2	8 / 6	Relay	75x107x87	2	Yes	0	1	1	No	AC DC
LX3VP-0806MT-A2 D2	8 / 6	Transistor	75x107x87	2	Yes	2	1	1	No	AC DC
LX3VP-1208MR-A2 D2	12 / 8	Relay	75x107x87	2	Yes	0	1	1	No	AC DC
LX3VP-1208MT-A2 D2	12 / 8	Transistor	75x107x87	2	Yes	2	1	1	No	AC DC
LX3VP-1212MR-A D	12 / 12	Relay	136x107x87	2	Yes	0	1	2	Yes	AC DC
LX3VP-1212MT-A D	12 / 12	Transistor	136x107x87	2	Yes	2	1	2	Yes	AC DC
LX3VP-1212MT4H-A D	12 / 12	Transistor	136x107x87	2	Yes	4	1	2	Yes	AC DC
LX3VP-1212MR2H-A D	12 / 12	Mix	136x107x87	2	Yes	2	1	2	Yes	AC DC
LX3VP-1412MR-A D	14 / 12	Relay	136x107x87	2	Yes	0	1	2	Yes	AC DC
LX3VP-1412MT-A D	14 / 12	Transistor	136x107x87	2	Yes	2	1	2	Yes	AC DC
LX3VP-1412MT4H-A D	14 / 12	Transistor	136x107x87	2	Yes	4	1	2	Yes	AC DC
LX3VP-1412MR2H-A D	14 / 12	Mix	136x107x87	2	Yes	2	1	2	Yes	AC DC
LX3VP-1616MR-A D	16 / 16	Relay	175x107x87	2	Yes	0	1	2	Yes	AC DC
LX3VP-1616MT-A D	16 / 16	Transistor	175x107x87	2	Yes	2	1	2	Yes	AC DC
LX3VP-1616MT4H-A D	16 / 16	Transistor	175x107x87	2	Yes	4	1	2	Yes	AC DC
LX3VP-1616MR2H-A D	16 / 16	Mix	175x107x87	2	Yes	2	1	2	Yes	AC DC
LX3VP-2416MR-A D	24 / 16	Relay	175x107x87	2	Yes	0	1	2	Yes	AC DC
LX3VP-2416MT-A D	24 / 16	Transistor	175x107x87	2	Yes	2	1	2	Yes	AC DC
LX3VP-2416MT4H-A D	24 / 16	Transistor	175x107x87	2	Yes	4	1	2	Yes	AC DC
LX3VP-2416MR2H-A D	24 / 16	Mix	175x107x87	2	Yes	2	1	2	Yes	AC DC
LX3VP-3624MR-A D	36 / 24	Relay	221x107x87	2	Yes	0	1	2	Yes	AC DC
LX3VP-3624MT-A D	36 / 24	Transistor	221x107x87	2	Yes	2	1	2	Yes	AC DC
LX3VP-3624MT4H-A D	36 / 24	Transistor	221x107x87	2	Yes	4	1	2	Yes	AC DC
LX3VP-3624MR2H-A D	36 / 24	Mix	221x107x87	2	Yes	2	1	2	Yes	AC DC

MODULE AND BD BOARD PRODUCTS

PLC Module



Module	Specification	Module	Specification
LX3V-8EX	8 Input	LX3V-4AD	4 * Analog Input
LX3V-8EYR	8 Relay Output	LX3V-4DA	4 * Analog Output
LX3V-8EYT	8 Transistor Output	LX3V-2AD	2 * Analog Input
LX3V-16EX	16 Input	LX3V-2DA	2 * Analog Output
LX3V-16EYR	16 Relay Output	LX3V-4PT	4 * Thermal Resistance Input
LX3V-16EYT	16 Transistor Output	LX3V-4TC	4 * Thermocouple Input
LX3V-1WT	1 * Weighting	LX3V-4LTC	4 * TC with Isolation (PID Control)
LX3V-2WT	2 * Weighting	LX3V-2PT	2 * Thermal Resistance Input
LX3V-1PG	1 * Pulse Output	LX3V-2TC	2 * Thermocouple Input
LX3V-1PSU	Extended Power Supply Module		

PLC BD Board



BD Board	Function	BD Board	Function
LX3V-2AD2DA-BD	2 * Analog Input/ Analog Output (4~20mA)	LX3V-2DA-BD	2 * Analog Output (4~20mA)
LX3V-2ADV2DAV-BD	2 * Analog Input/ Output (-10V~10V)	LX3V-2PT-BD	2 * Thermal Resistance Input
LX3V-2PT2DA-BD	2 * Thermal Resistance Input/ 2 * Analog Output (4~20mA)	LX3V-2TC2DA-BD	2 * Thermocouple Input/ 2 * Analog Output (4~20mA)
LX3V-2TC-BD	2 * Thermocouple Input	LX3V-2RS485-BD	2 * RS485 Communication
LX3V-4ADI-BD	4 * Analog Input (4~20mA)	LX3V-CAN-BD	1 * CAN Communication
LX3V-4ADV-BD	4 * Analog Input (-10V~10V)	LX3V-ETH-BD	1 * Ethernet Communication



PLC SPECIFICATIONS

General



	1S Series	3V Series	3VP Series
Running Mode	Round Scan/ Interrupt		
Programming	Instruction List/ Ladder		
Total Instructions	Basic Instructions: 27 / Applied Instruction: 136+2		
Execute time	Basic Instructions: 0.06us / Applied Instruction: 1~10us		
System Storage	2K	16K	64K
Download/ Monitoring	Serial Programming Cable	Serial Programming Cable / Mini USB	Serial Programming Cable / Mini USB
High Speed Pulse Output	Transistor: 2 channels (4 channel optional) / Relay N/A (2 channel optional)		
External Interrupt	6 Channels		
Timer Interrupt	3 Channels		
Holding Addresses	Fixed	Adjustable	Adjustable
Storage	FLASH		
Filter	For all X input terminals		
Serial Port	COM1 RS422 COM2:RS485 (Optional)	COM1 RS422 or RS485 COM2 RS485	COM1 RS422 or RS485 COM2 RS485
Temperature	Working Temperature 0 ~ 55 / Storage Temperature 0 ~ 70		
Humidity	35 ~ 85%RH Without condensation		
Shock Resistance	JIS C 0040 Standard		
Noise Immunity	Noise Voltage: 1000Vp-p Pulse Width: 1us Frequency: 30~100Hz (Noise Simulator)		

Output



Item	Relay Output	Transistor Output
Output Mode	--	NPN
Input Power Supply	DC 24V	DC 24V
Output Circuit	<AC 250V DC 30	DC 5~30V
COM Port Current	--	<0.1mA DC 30V
Insulation	Mechanistic	Optical Coupling
Leak current	--	0.1mA / DC 30V
Min. Load	--	DC5V 2mA
Max. Load	Resistive	2A point 8A COM port
	Inductive	80VA
	General	100W
Response Time	ON	<0.2ms
	OFF	Pulse output terminal <5us

PLC SPECIFICATIONS

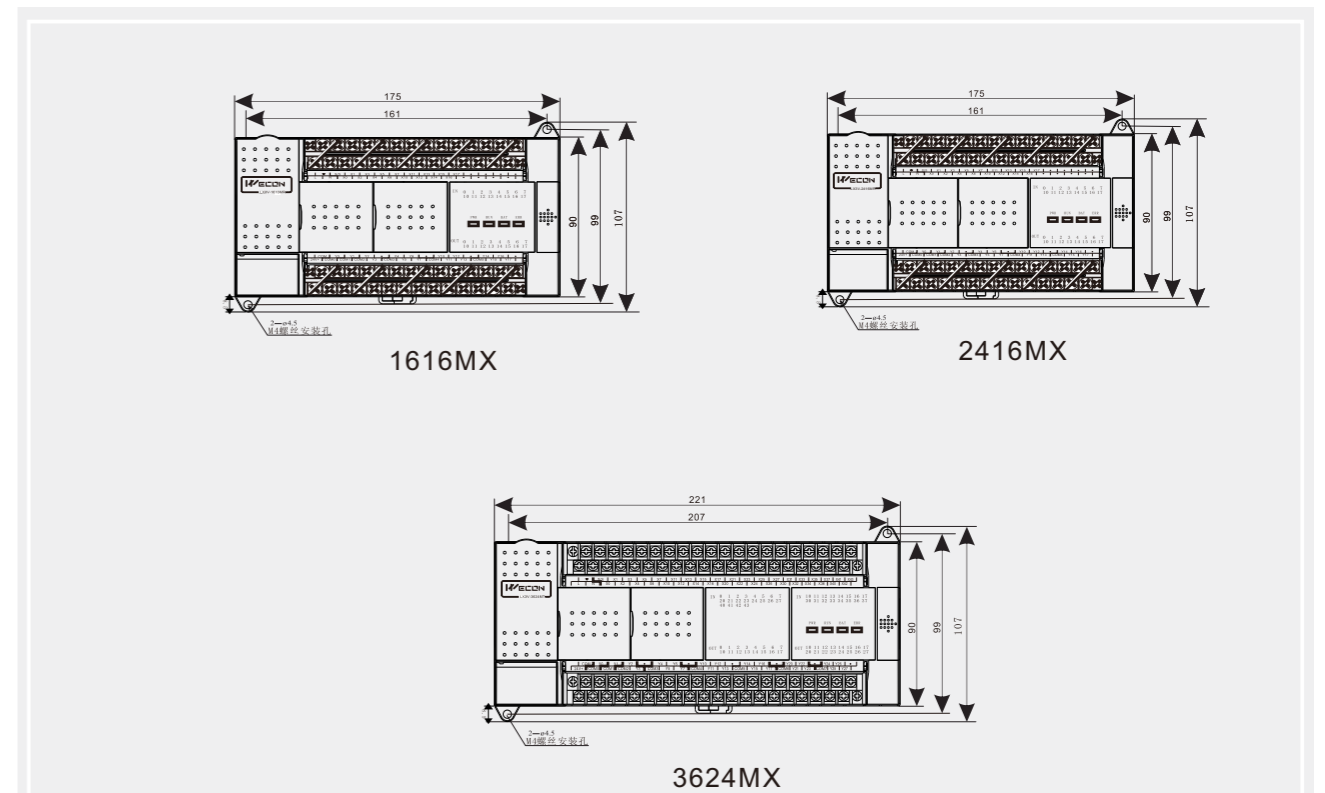
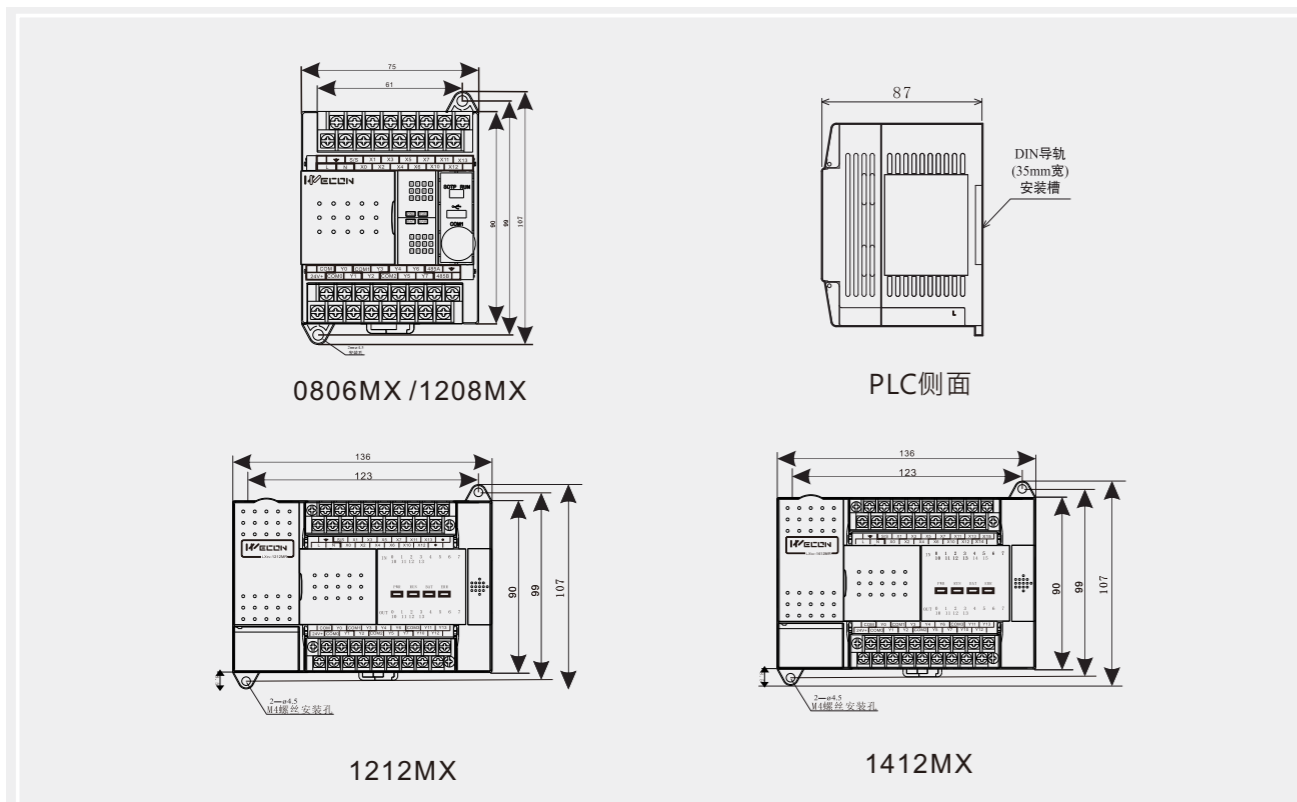
AC Power Supply

Item	LX3V(P)-0806M/ 1208M/ 1212M/ 1412M	LX3V(P) 1616M/ 2416M/ 3624M
Voltage	AC 100~240V 50 ~ 60Hz	
Power Outage Time	10ms	
Rush Current	<15A 5ms / AC 100V; <30A 5ms / AC 200V	
Power Fuse	250V 1A	250V 3.15A
Power Consumption	<35W	<60W
Power Output	DC 24V 850mA	DC 24V 700mA

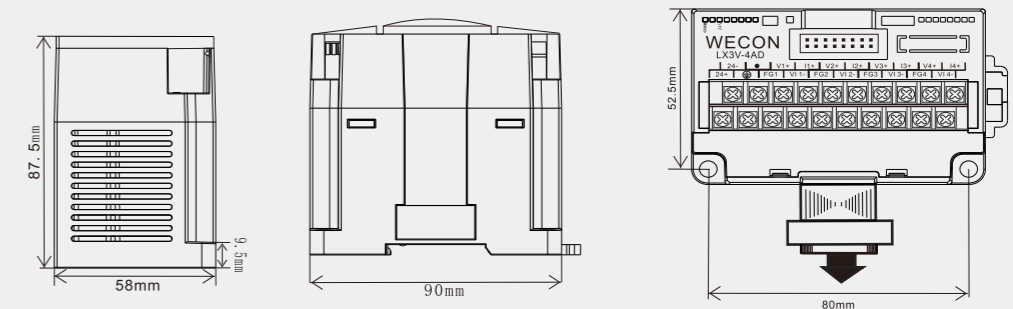
DC Power Supply

Item	LX3V / LX3VP
Power Supply	DC 24V±10%
Power Outage Time	10ms
Power Fuse	250V 3.15A
Rush Current	<15A 1ms / DC 24V
Power Consumption	<30W

PLC Dimension



LX3V-[[[]]] Module



LX3V-[[[]]]-BD Board

