

Plastic square shape photoelectric sensors **PSR** series

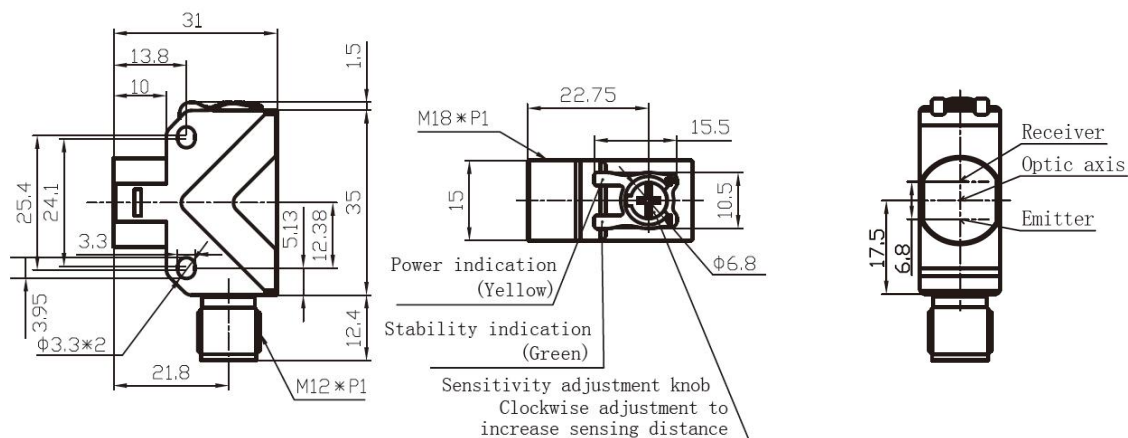
Features

- ◆ 18mm threaded cylindrical installation or side installation, it is an ideal substitute for various styles of sensors;
- ◆ Unique optical design can realize stable detection of bright objects;
- ◆ With 360° visible bright LED status indicator;
- ◆ Visible light spot, easy to install and debug.


Part number

| | | | |
|-----|----------------|-----|----------------|
| NPN | PSR-PM3DNBR-E2 | PNP | PSR-PM3DPBR-E2 |
|-----|----------------|-----|----------------|

| Technical specifications | | | |
|--------------------------|--|-----------------------|---|
| Detection type | Polarized reflection | Anti-ambient light | Anti-ambient light interference < 10,000lx; |
| Rated distance [Sn] | 0...3m | | Incandescent light interference < 3,000lx |
| Light source | Red LED (660nm) | Indicator display | Green light: power indication, stable indication (blinking means unstable signal) |
| Light spot | 180*180mm@3m | | Yellow light: output indication, short circuit or overload indication (flashing) |
| Output | NO/NC | Ambient humidity | 35...95%RH (non-condensing) |
| Supply voltage | 10...30VDC | Voltage withstand | 1000V/AC 50/60Hz 60s |
| Load current | ≤200mA | Insulation resistance | ≥50MΩ (500VDC) |
| Residual voltage | ≤1V | Vibration resistance | 10...50Hz (0.5mm) |
| Distance adjustment | Single-turn potentiometer | Degree of protection | IP67 |
| Consumption current | ≤20mA | Housing material | ABS |
| Circuit protection | Short-circuit, overload, reverse polarity and zener protection | Installation method | Composite installation |
| Response time | ≤1ms | Optical components | Plastic PMMA |
| Ambient temperature | -15°C...60°C | Weight | 10g |
| NO/NC adjustment | NO: 2 feet is connected to the positive electrode; NC: 2 feet is connected to the negative electrode; | Connection type | M12 connector |

Dimensions


Wiring diagram

NPN

PNP

