

Plastic square shape photoelectric sensors **PTB** series



Features

- ◆ Emitter and receiver built in one housing, sensing distance adjustable
- ◆ Special optic design, regardless background;
- ◆ Super anti-interference to ambient light;



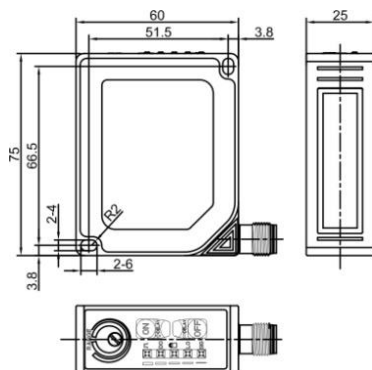
Part number

NPN+PNP NO/NC PTB-YC200DFBT3-E5

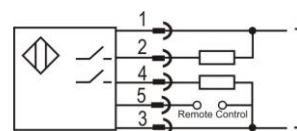
Technical specifications

Detection type	Background suppression	Consumption current	≤50mA
Rated distance [Sn]	200cm (adjustable)	Circuit protection	Short-circuit, overload and reverse polarity
Standard target	Reflection rate: White 90% Black:10%	Response time	< 2ms
Light source	Infrared light (850nm)	Output indicator	Yellow LED
Dimensions	75 mm *60 mm *25mm	Ambient temperature	-15°C...+55°C
Output	NO/NC (select by button)	Ambient humidity	35-85%RH (non-condensing)
Supply voltage	10...30 VDC	Voltage withstand	1000V/AC 50/60Hz 60s
WH&BK color variation	≤10%	Insulation resistance	≥50MΩ(500VDC)
Hysteresis range [%/Sr]	≤5%	Vibration resistance	10...50Hz (0.5mm)
Repeat accuracy [R]	≤3%	Degree of protection	IP65
Load current	≤150mA	Housing material	ABS
Residual voltage	≤2.5V	Connection type	M12 5-pin connector

Dimensions



Wiring diagram



NPN+PNP NO/NC

