

Plastic square shape photoelectric sensors **PTE** series



Features

- ◆ Polarized reflection working principle;
- ◆ Suitable for detecting transparent or high reflective target;
- ◆ High detection accuracy



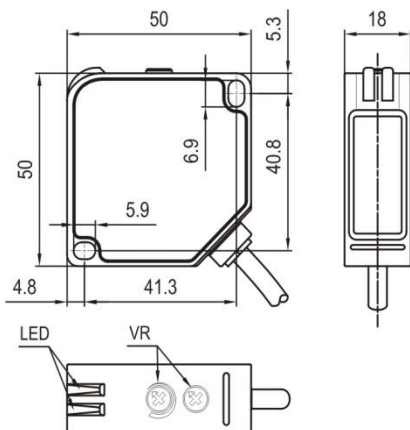
Part number

Relay output PTE-PM5SK

Technical specifications

Detection type	Polarized reflection	Consumption current	≤35mA
Rated distance [Sn]	5m (adjustable)	Circuit protection
Standard target	TD-09 reflector	Response time	< 10ms
Light source	Red LED (650nm)	Output indicator	Yellow LED
Dimensions	50mm *50mm *18mm	Ambient temperature	-25°C...+55°C
Output	Relay output	Ambient humidity	35-85%RH (non-condensing)
Supply voltage	24...240 VAC/DC	Voltage withstand	2000V/AC 50/60Hz 60s
Target	Transparent, semi-transparent, Opaque object	Insulation resistance	≥50MΩ(500VDC)
Repeat accuracy [R]	≤5%	Vibration resistance	10...50Hz (0.5mm)
Load current	≤3A	Degree of protection	IP67
Residual voltage	Housing material	PC/ABS
		Connection type	2m PVC cable

Dimensions



Wiring diagram

