

Plastic square shape photoelectric sensors **PTE** series



Features

- ◆ Polarized reflection working principle;
- ◆ Suitable for detecting transparent or high reflective target;
- ◆ High detection accuracy



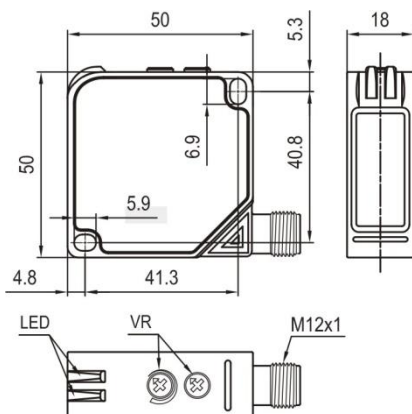
Part number

NPN+PNP NO/NC PTE-PM5DFB-E2

Technical specifications

| | | | |
|---------------------|---|-----------------------|--|
| Detection type | Polarized reflection | Consumption current | ≤40mA |
| Rated distance [Sn] | 5m (adjustable) | Circuit protection | Short-circuit, overload and reverse polarity |
| Standard target | TD-09 reflector | Response time | < 2ms |
| Light source | Red LED (650nm) | Output indicator | Yellow LED |
| Dimensions | 50mm *50mm *18mm | Ambient temperature | -25°C...+55°C |
| Output | NO/NC (Select by L/D potentiometer) | Ambient humidity | 35-85%RH (non-condensing) |
| Supply voltage | 10...30 VDC | Voltage withstand | 1000V/AC 50/60Hz 60s |
| Target | Transparent, semi-transparent, Opaque object | Insulation resistance | ≥50MΩ(500VDC) |
| Repeat accuracy [R] | ≤5% | Vibration resistance | 10...50Hz (0.5mm) |
| Load current | ≤200mA | Degree of protection | IP67 |
| Residual voltage | ≤2.5V | Housing material | PC/ABS |
| | | Connection type | M12 Connector |

Dimensions



Wiring diagram

