

Ultrasonic sensor **UR30-CM6** series


## Features

- ◆ M30 installation threaded sleeve
- ◆ Extended long distance detection
- ◆ Setting detection distance through teach-in lines
- ◆ Temperature compensation



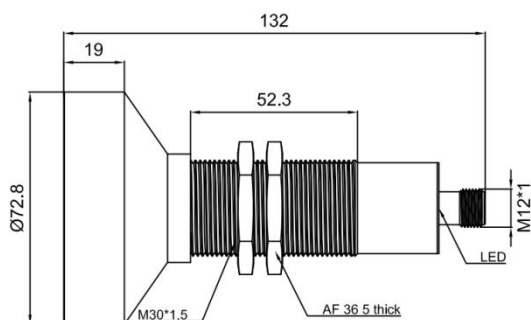
## Part number

TTL UR30-CM6DT-E2

## Technical specifications

|                           |  |                     |   |
|---------------------------|--|---------------------|---|
| Sensing range             | 350-6000mm   | Angle               | ±10°  |
| Blind area                | 0-350mm  | Circuit protection  | Reverse protection, instantaneous over voltage protection, short circuit protection, overload protection  |
| Resolution ratio          | 4mm  | Output indication   | Red LED: No target detected in teach-in state, always on<br>Yellow LED: In normal working mode, the switch status<br>Blue LED: Target detected in teach-in state, flashing<br>Green LED: Power indicator light, always on |
| Repeat accuracy           | ±0.15% full scale  | Ambient temperature | -25°C...70°C (253-343K)   |
| Temperature drift         | ≤2% full scale (Built-in temperature drift compensation) | Storage temperature | -40°C...85°C (233-358K)   |
| Linearity                 | < 1%   | Material            | Nickel plated copper, glass beads mixed with epoxy resin  |
| Response time             | 300ms  | Protection degree   | IP67  |
| Standard target           | 300×300mm  | Connection          | M12 4-pin connection  |
| Oscillator frequency      | About 65KHz  |                     |   |
| Rated operational current | ≤200mA   |                     |   |
| Supply voltage            | 5...30VDC  |                     |   |
| No-load current           | ≤25mA  |                     |   |

## Dimensions



## Wiring diagram

