

Metal cylindrical shape inductive sensors **LR08** series



Features

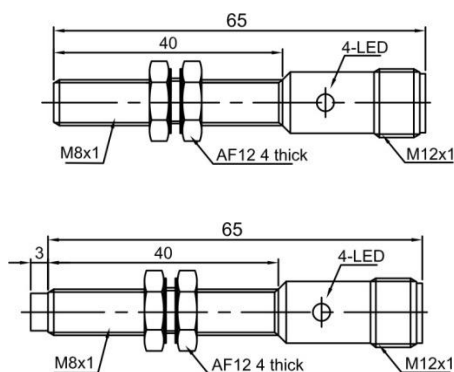
- ◆ Extended sensing distance;
- ◆ ASIC design, safe and reliable;
- ◆ Perfect choice for metallic target detection;



Part number					
NPN NO	LR08BF02DNOY-E2	LR08BN04DNOY-E2	PNP NO	LR08BF02DPOY-E2	LR08BN04DPOY-E2
NPN NC	LR08BF02DNCY-E2	LR08BN04DNCY-E2	PNP NC	LR08BF02DPCY-E2	LR08BN04DPCY-E2

Technical specifications					
Mounting	Quasi-flush	Non-flush	Current consumption	≤10mA	
Rated distance [Sn]	2mm	4mm	Circuit protection	Short-circuit, overload and reverse polarity	
Assured distance [Sa]	0...1.6mm	0...3.2mm	Output indicator	Yellow LED	
Dimensions	M8*65mm	M8*68mm	Ambient temperature	-25°C...70°C	
Output	NO/NC(depends on part number)		Ambient humidity	35-95%RH	
Supply voltage	10...30 VDC		Switching frequency [F]	1000Hz	
Standard target	Fe 8*8*1t	Fe12*12*1t	Voltage withstand	
Switch-point drifts[%/Sr]	≤ ±10%		Insulation resistance	≥50MΩ (500VDC)	
Hysteresis range [%/Sr]	1...20%		Vibration resistance	10...50Hz (1.5mm)	
Repeat accuracy [R]	≤3%		Degree of protection	IP67	
Load current	≤150mA		Housing material	Nickel-copper alloy	
Residual voltage	≤2.5V		Connection type	M12 connector	

Dimensions



Wiring diagram

