



AZ 15/16-B1-1747 RETROFIT KIT

- For play-free interlocking of light guards
- The magnetic latch can be easily fitted in any actuating plane
- Suitable for retrofitting
- Straight actuator with magnetic latch
- Particularly suitable for sliding doors

Data

Ordering data

Product type description	AZ 15/16-B1-1747 RETROFIT KIT
Article number (order number)	101093553
EAN (European Article Number)	4030661099989
eCl@ss number, version 12.0	27-27-26-06
eCl@ss number, version 11.0	27-27-26-06
eCl@ss number, version 9.0	27-27-26-06
ETIM number, version 7.0	EC001487
ETIM number, version 6.0	EC001487

General data

Coding level according to EN ISO 14119	Low
Material of the actuator	Stainless steel (V2A)
Gross weight	37 g

Mechanical data

Actuator	straight rigid
----------	-------------------

Latching force

30 N

Scope of delivery

Note (scope of delivery, number and type)

Befestigungsschrauben nicht im Lieferumfang enthalten

Pictures

Product picture (catalogue individual photo)



ID: kaz15f08

| 342.5 kB | .jpg | 352.425 x 361.244 mm - 999 x 1024 px - 72 dpi

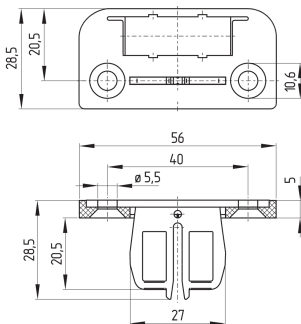
| 31.7 kB | .png | 74.083 x 75.847 mm - 210 x 215 px - 72 dpi

| 46.9 kB | .jpg | 120.297 x 123.472 mm - 341 x 350 px - 72 dpi

| 39.8 kB | .png | 74.083 x 74.083 mm - 210 x 210 px - 72 dpi

| 2.9 MB | .png | 200 x 204.9 mm - 2000 x 2049 px - 254 dpi

Dimensional drawing actuator

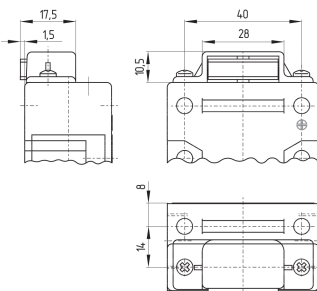


ID: kaz15b08

| 5.2 kB | .png | 74.083 x 79.728 mm - 210 x 226 px - 72 dpi

| 168.2 kB | .jpg | 352.778 x 379.589 mm - 1000 x 1076 px - 72 dpi

Dimensional drawing actuator

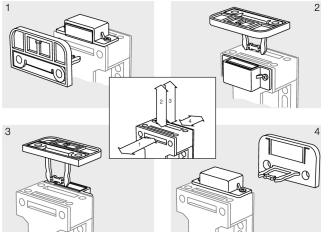


ID: kaz15b01

| 4.6 kB | .png | 74.083 x 67.381 mm - 210 x 191 px - 72 dpi

| 154.4 kB | .jpg | 352.778 x 321.028 mm - 1000 x 910 px - 72 dpi

Operating principle



ID: kaz15a18

| 150.4 kB | .cdr |

| 198.6 kB | .jpg | 352.778 x 253.294 mm - 1000 x 718 px - 72 dpi

| 8.5 kB | .png | 74.083 x 53.269 mm - 210 x 151 px - 72 dpi

K.A. Schmersal GmbH & Co. KG, Möddinghofe 30, 42279 Wuppertal

The details and data referred to have been carefully checked. Images may diverge from original. Further technical data can be found in the manual. Technical amendments and errors possible.

Generated on: 27/02/2026, 14:27