



AZM 161-B1-1747 RETROFIT KIT

- Straight actuator with magnetic latch
- Particularly suitable for sliding doors

Data

Ordering data

Product type description	AZM 161-B1-1747 RETROFIT KIT
Article number (order number)	101164100
EAN (European Article Number)	4030661293097
eCl@ss number, version 12.0	27-27-26-06
eCl@ss number, version 11.0	27-27-26-06
eCl@ss number, version 9.0	27-27-26-06
ETIM number, version 7.0	EC001487
ETIM number, version 6.0	EC001487

General data

Coding level according to EN ISO 14119	Low
Material of the actuator	Stainless steel (V2A)
Gross weight	35 g

Mechanical data

Actuator	straight rigid
----------	-------------------

Scope of delivery

Note (scope of delivery, number and type) Befestigungsschrauben nicht im Lieferumfang enthalten

Note

Note (General) minimum actuating radius on rotating guard systems via the narrow edge of the actuator 150 mm
minimum actuating radius on hinged guards in line with the plane of the actuator 150 mm

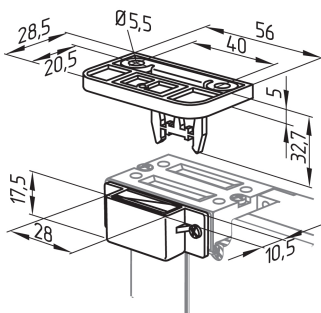
Pictures

Product picture (catalogue individual photo)



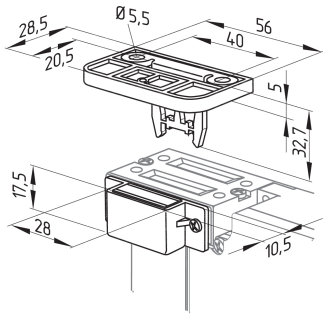
ID: kazm1f51
| 288.6 kB | .jpg | 352.778 x 360.892 mm - 1000 x 1023 px - 72 dpi
| 45.8 kB | .png | 73.731 x 75.494 mm - 209 x 214 px - 72 dpi
| 40.5 kB | .png | 74.083 x 74.083 mm - 210 x 210 px - 72 dpi
| 3.1 MB | .png | 200 x 204.6 mm - 2000 x 2046 px - 254 dpi

Dimensional drawing actuator



ID: 1azm1b11
| 268.1 kB | .jpg | 352.778 x 348.544 mm - 1000 x 988 px - 72 dpi
| 26.1 kB | .png | 74.083 x 73.025 mm - 210 x 207 px - 72 dpi

Dimensional drawing miscellaneous



ID: kazm1b11

| 39.3 kB | .cdr |

| 276.1 kB | .jpg | 352.778 x 349.956 mm - 1000 x 992 px - 72 dpi

K.A. Schmersal GmbH & Co. KG, Mödinghofe 30, 42279 Wuppertal

The details and data referred to have been carefully checked. Images may diverge from original. Further technical data can be found in the manual. Technical amendments and errors possible.

Generated on: 27/02/2026, 14:28