



BNS 303-02ZG-ST-2211

- Connector M12, 4-pole
- Thermoplastic enclosure
- Long life
- Suitable for food processing industry only in combination with BPS 303 SS
- no mechanical wear
- Ø M30
- Insensitive to transverse misalignment
- Insensitive to soiling

Data

Ordering data

Product type description	BNS 303-02ZG-ST-2211
Article number (order number)	101196399
EAN (European Article Number)	4030661372976
eCl@ss number, version 12.0	27-27-44-01
eCl@ss number, version 11.0	27-27-24-02
eCl@ss number, version 9.0	27-27-24-02
ETIM number, version 7.0	EC002544
ETIM number, version 6.0	EC002544

Approvals - Standards

Certificates	cULus
--------------	-------

General data

Standards	BG-GS-ET-14 EN IEC 60947-5-3
-----------	---------------------------------

Coding level according to EN ISO 14119	Low
Working principle	Magnetic drive
Installation conditions (mechanical)	quasi-flush
Housing material	Glass-fibre, reinforced thermoplastic
Material of the nuts	Thermoplastic
Gross weight	45 g

General data - Features

Coding	Yes
Integral system diagnostics, status	Yes
Number of normally closed (NC)	2
Number of safety contacts	2

Safety classification

Standards	EN ISO 13849-1
Mission time	20 Year(s)

Safety classification - Safety outputs

B _{10D} Normally-closed contact (NC)	25,000,000 Operations
---	-----------------------

Mechanical data

Actuating element	Magnet
Direction of motion	Head-on to the active surface

Mechanical data - Switching distances

Assured switching distance "ON" S _{ao}	8 mm
Assured switching distance "OFF" S _{ar}	18 mm
Note (switching distance)	All switching distances in accordance EN IEC 60947-5-3

Mechanical data - Connection technique

Termination	Connector M12, 4-pole
Material of the Cable mantle	PVC

Mechanical data - Dimensions

ISO thread of the sensor	M30
width across flats	36 BK
Length of sensor	44 mm

Ambient conditions

Degree of protection	IP67
Ambient temperature	-25 ... +70 °C
Storage and transport temperature	-25 ... +70 °C
Resistance to vibrations	10 ... 55 Hz, amplitude 1 mm
Restistance to shock	30 g / 11 ms

Electrical data

Switching voltage, maximum	24 VDC
Switching current, maximum	0.01 A
Switching capacity, maximum	0.24 W
Switching element	2 NC contact
Switching principle	Reed contacts, Non-contact principle
Switching frequency, maximum	5 Hz

Scope of delivery

Scope of delivery	Actuator must be ordered separately.
Scope of delivery of mounting material	2x Mounting material M30 x 1.5 nuts

Accessory

Recommendation (actuator)	BPS 300 BPS 303 BPS 303 SS
Recommended safety switchgear	SRB 219IT SRB 308IT SRB 301ST SRB 301AN SRB 202C SRB 211AN SRB 400C SRB 207AN SRB-E-301ST SRB-E-201LC

Note

Note (General)	Contact symbols shown for the closed condition of the guard device. The contact configuration for versions with or without LED is identical.
----------------	---

Ordering code

Product type description:
BNS 303-(1)Z(2)-(3)-(4)

(1)

11	1 NO contact/1 NC contact
12	1 NO contact/2 NC contacts
02	- / 2 NC contacts
03	- / 3 NC contacts

(2)

without	without LED switching conditions display
G	with LED switching conditions display

(3)

without	with cable
ST	with connector M12

(4)

2187

Individual contact outlet

2211

higher switching distance

Pictures

Product picture (catalogue individual photo)



ID: kbns3f32

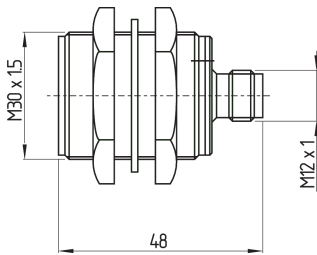
| 360.8 kB | .jpg | 352.425 x 361.597 mm - 999 x 1025 px - 72 dpi

| 48.2 kB | .png | 74.083 x 75.847 mm - 210 x 215 px - 72 dpi

| 44.1 kB | .png | 74.083 x 74.083 mm - 210 x 210 px - 72 dpi

| 4.1 MB | .png | 169.249 x 173.651 mm - 1999 x 2051 px - 300 dpi

Dimensional drawing basic component



ID: kbns3g10

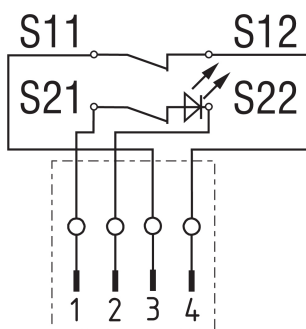
| 83.4 kB | .ai | 210 x 297 mm - 595 x 841 px - 72 dpi

| 3.6 kB | .png | 74.083 x 56.797 mm - 210 x 161 px - 72 dpi

| 105.8 kB | .jpg | 352.778 x 270.228 mm - 1000 x 766 px - 72 dpi

| 6.1 kB | .jpg | 75.847 x 58.208 mm - 215 x 165 px - 72 dpi

Diagram



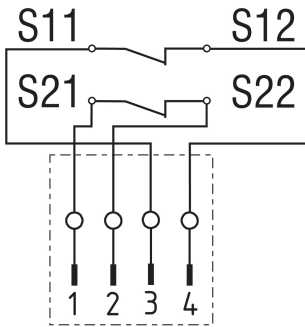
ID: kbns3k40

| 21.2 kB | .cdr |

| 125.4 kB | .jpg | 352.425 x 369.006 mm - 999 x 1046 px - 72 dpi

| 4.2 kB | .png | 73.731 x 77.258 mm - 209 x 219 px - 72 dpi

Diagram



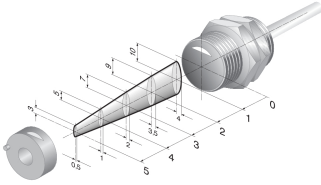
ID: kbns3k39

| 20.4 kB | .cdr |

| 116.6 kB | .jpg | 352.425 x 369.006 mm - 999 x 1046 px - 72 dpi

| 3.8 kB | .png | 73.731 x 77.258 mm - 209 x 219 px - 72 dpi

Characteristic curve

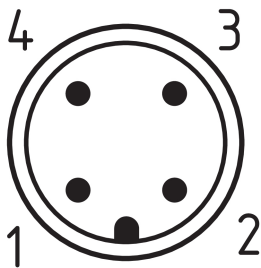


ID: kbns3a02

| 17.7 kB | .png | 74.083 x 42.333 mm - 210 x 120 px - 72 dpi

| 148.1 kB | .jpg | 352.778 x 201.436 mm - 1000 x 571 px - 72 dpi

Contact arrangement



ID: km12-k4c

| 4.2 kB | .png | 74.083 x 74.083 mm - 210 x 210 px - 72 dpi

| 113.3 kB | .jpg | 352.778 x 352.778 mm - 1000 x 1000 px - 72 dpi

K.A. Schmersal GmbH & Co. KG, Möddinghofe 30, 42279 Wuppertal

The details and data referred to have been carefully checked. Images may diverge from original. Further technical data can be found in the manual. Technical amendments and errors possible.

Generated on: 27/02/2026, 14:55